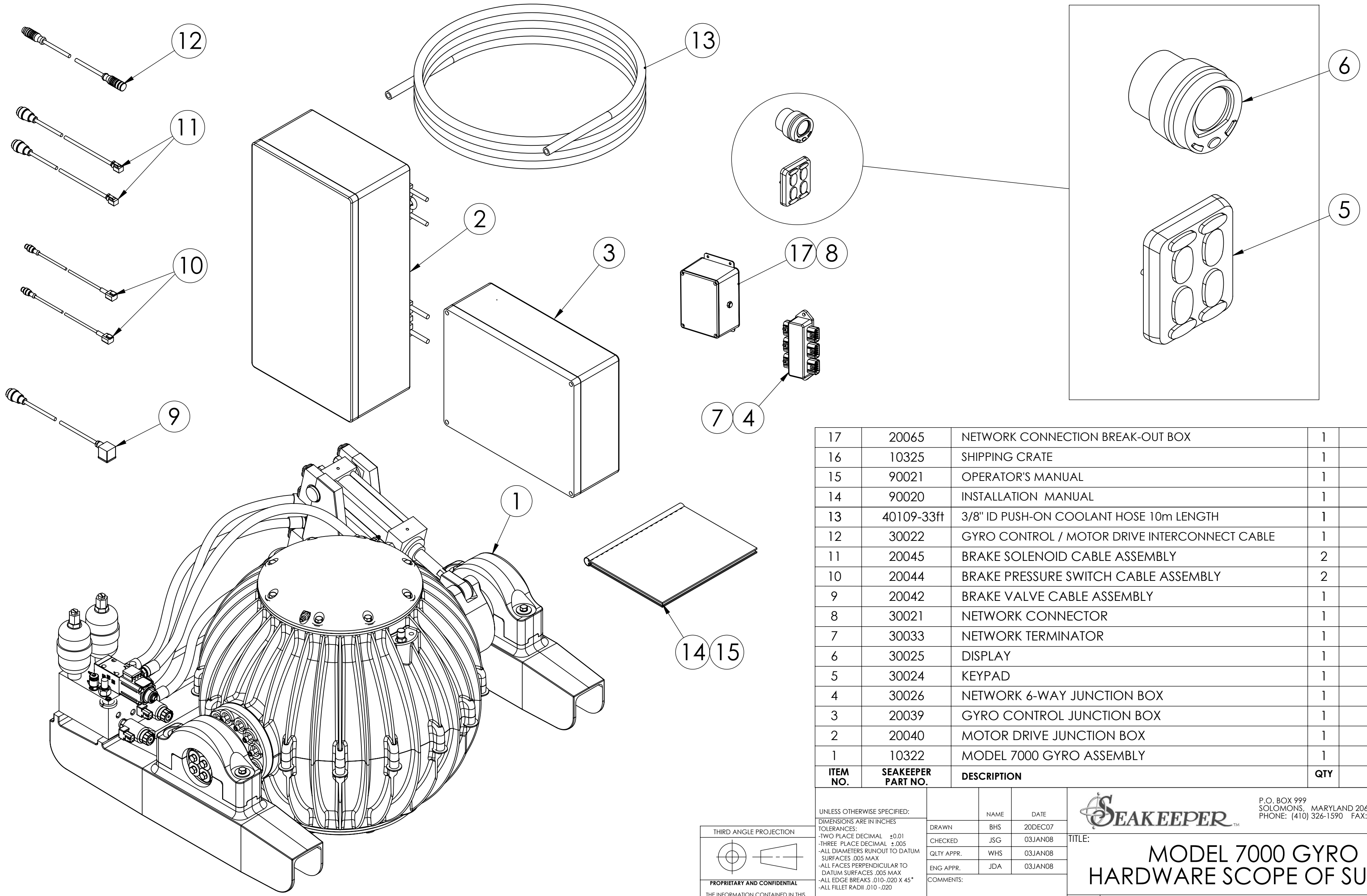


NOTES:

- 1) THIS DRAWING PROVIDES A PICTORAL REFERENCE FOR THE HARDWARE TO BE SUPPLIED WITH THE PURCHASE OF A SEAKEEPER MODEL 7000 GYRO .
- 2) FIND NO. 1 IS SUPPLIED WITH 6 ELECTRICAL CABLES PERMANENTLY ATTACHED.
- 3) FIND NOS. 5 & 6 ARE SUPPLIED WITH 1 ELECTRICAL CABLE PERMANENTLY ATTACHED TO EACH.

REVISIONS				
REV.	ZONE	DESCRIPTION	DATE	APPROVED
2		1. ADDED ITEM NOS. 14 & 15 TO DRAWING.	15JAN08	BHS
3		1. ADDED ITEM NO. 17 TO PARTS LIST AND FIGURE. 2. MOVED BALLOON #8 TO ITEM 17. 3. CHANGED ITEM 8 PART NO. FROM 30045 TO 30021.	28APR08	WED JSG
4		1. UPDATED PART NUMBERS IN BOM FOR ITEMS 13,14 & 15	11AUG08	BHS



17	20065	NETWORK CONNECTION BREAK-OUT BOX	1	
16	10325	SHIPPING CRATE	1	
15	90021	OPERATOR'S MANUAL	1	
14	90020	INSTALLATION MANUAL	1	
13	40109-33ft	3/8" ID PUSH-ON COOLANT HOSE 10m LENGTH	1	
12	30022	GYRO CONTROL / MOTOR DRIVE INTERCONNECT CABLE	1	
11	20045	BRAKE SOLENOID CABLE ASSEMBLY	2	
10	20044	BRAKE PRESSURE SWITCH CABLE ASSEMBLY	2	
9	20042	BRAKE VALVE CABLE ASSEMBLY	1	
8	30021	NETWORK CONNECTOR	1	
7	30033	NETWORK TERMINATOR	1	
6	30025	DISPLAY	1	
5	30024	KEYPAD	1	
4	30026	NETWORK 6-WAY JUNCTION BOX	1	
3	20039	GYRO CONTROL JUNCTION BOX	1	
2	20040	MOTOR DRIVE JUNCTION BOX	1	
1	10322	MODEL 7000 GYRO ASSEMBLY	1	
ITEM NO.	SEAKEEPER PART NO.	DESCRIPTION	QTY	NOTE

UNLESS OTHERWISE SPECIFIED:		NAME	DATE
DIMENSIONS ARE IN INCHES		BHS	20DEC07
TOLERANCES:		JSG	03JAN08
-TWO PLACE DECIMAL ±0.01		WHS	03JAN08
-THREE PLACE DECIMAL ±0.005		JDA	03JAN08
-ALL DIAMETERS RUNOUT TO DATUM SURFACES .005 MAX			
-ALL FACES PERPENDICULAR TO DATUM SURFACES .005 MAX			
-ALL EDGE BREAKS .010-.020 X 45°			
-ALL FILLET RADII .010-.020			
-SURFACE FINISH			
COMMENTS:			
DO NOT SCALE DRAWING			

P.O. BOX 999  
SOLOMONS, MARYLAND 20688, USA  
PHONE: (410) 326-1590 FAX: (410) 326-1199

**SEAKEEPER™**

**MODEL 7000 GYRO  
HARDWARE SCOPE OF SUPPLY**

SIZE <b>C</b>	DWG. NO. <b>90001</b>	REV <b>4</b>
SCALE:	WEIGHT:	SHEET 1 OF 1

THIRD ANGLE PROJECTION

PROPRIETARY AND CONFIDENTIAL

THE INFORMATION CONTAINED IN THIS DRAWING IS THE SOLE PROPERTY OF SEAKEEPER, INC. ANY REPRODUCTION IN PART OR AS A WHOLE WITHOUT THE WRITTEN PERMISSION OF SEAKEEPER, INC. IS PROHIBITED.