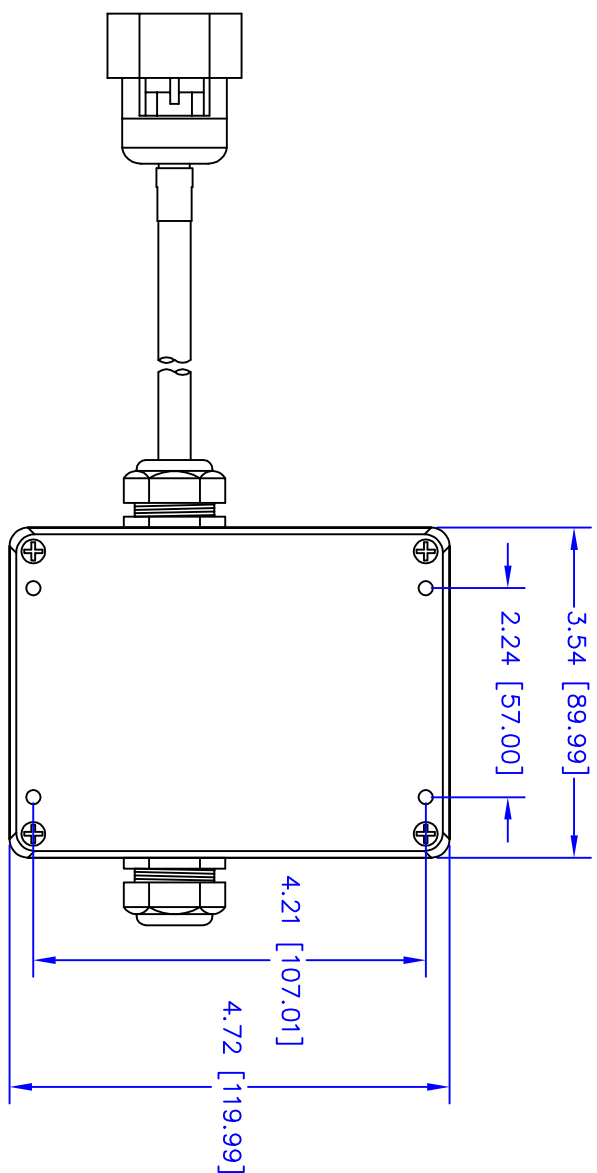


REVISIONS		DATE	APPROVED
3	2	03DEC08	
2	2		
1	2		

- NOTES:
- SEAKEEPER 30065, NETWORK BREAKOUT BOX.
 - SPECIFICATIONS
 Power Required: (from Controller)
 Ambient Air Temperature: -40 to 105 degC
 Cooling: None required within ambient temperature range
 Weight: .25 lbs (.1 Kg)

- MOUNTING INSTRUCTIONS
 Console space required: Approx. 6 W x 3 H inches
 (152 x 76 mm), rear
 Mounting Instructions: Rear mount on vessel console panel, within 2 ft (0.6m) of Network Connection Box.
 (Screws 8-32x1/2, M4x10, or equivalent)



THE INFORMATION CONTAINED IN THIS DRAWING IS THE SOLE PROPERTY OF SEAKEEPER INC. NO REPRODUCTION OR TRANSMISSION IN ANY FORM OR BY ANY MEANS, ELECTRONIC OR MECHANICAL, INCLUDING PHOTOCOPYING, RECORDING, OR BY ANY INFORMATION STORAGE AND RETRIEVAL SYSTEM, IS PERMITTED WITHOUT THE WRITTEN PERMISSION OF SEAKEEPER INC. IS PROHIBITED.

NAME	DATE	SEAKEEPER P.O. BOX 898 SOLIDONS MARYLAND 20688, USA PH: (410) 326-1580 FAX: (410) 326-7199
DRAWN	J. S. COSS (08/11/08)	
CHECKED		
ENG APPR.		
TITLE		NETWORK BREAKOUT BOX ENVELOPE & MOUNTING DETAILS
SIZE	DWG NO.	
C	90018	REV
SCALE 1:1	WEIGHT .25 LBS. (.1 KG)	SHEET 1 OF 1

8 7 6 5 4 3 2 1