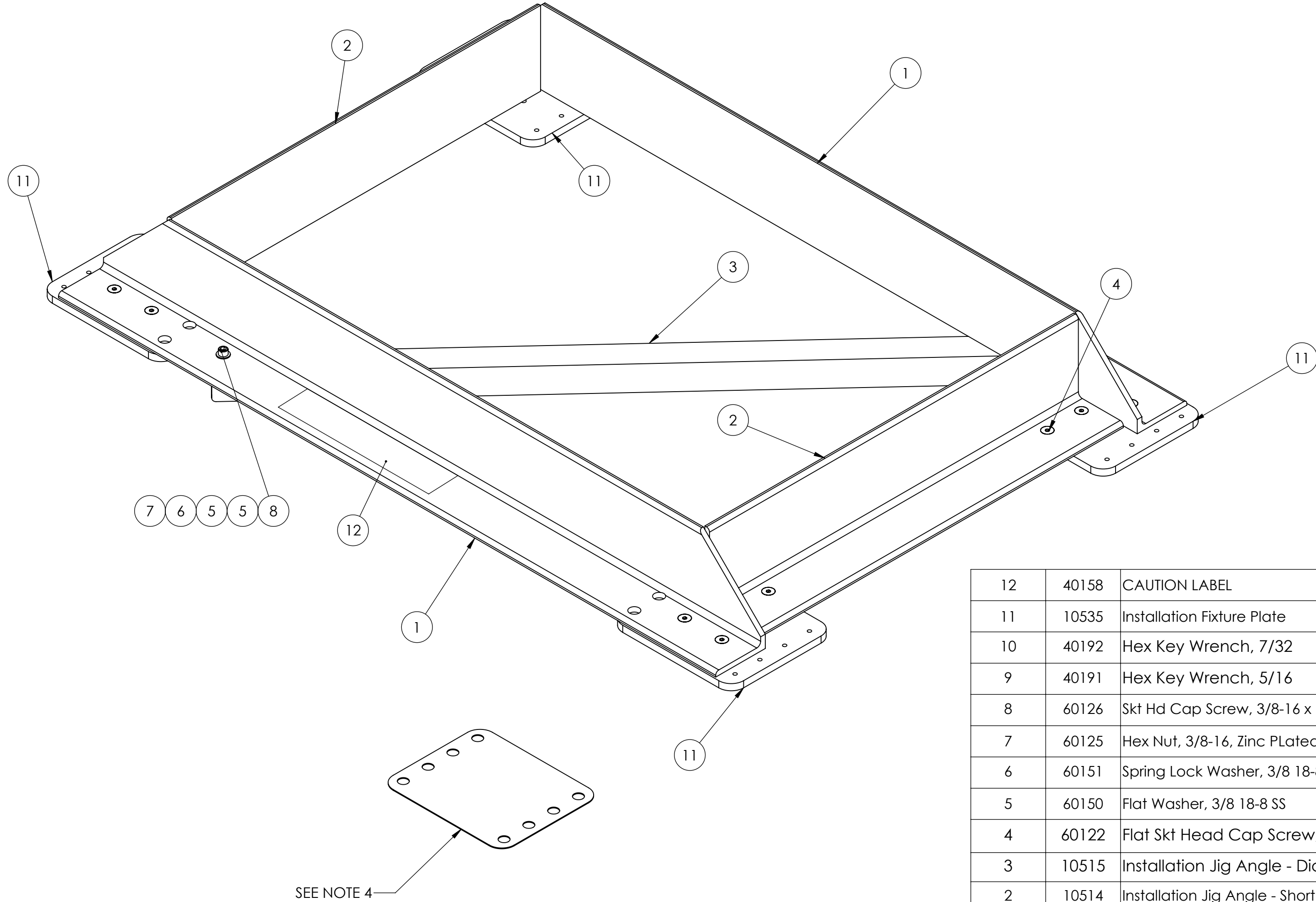


NOTES:

- 1) THE FIXTURE MUST BE USED TO CHECK FLATNESS AND COPLANAR PROPERTIES OF AN INSTALLATION DESIGNED TO BOLT GYRO FOUNDATION DIRECTLY TO SHIP'S STRUCTURE. THE FIXTURE CAN ALSO BE USED TO TRANSFER HOLE CENTERS FOR DRILLING MOUNTING BOLT HOLES.
- 2) ITEM 11, P/N 10535 IS COMPLETELY SYMMETRICAL AND CAN BE USED IN ANY OF THE FOUR LOCATIONS.
- 3) THE GYRO'S FOUNDATION EXTENDS BEYOND THE PLAN DIMENSIONS OF THIS FIXTURE. IT IS IMPORTANT THAT THE BUILDER / DESIGNER/ INSTALLER IS FAMILIAR WITH SEAKEEPER DRAWING 90067 - M21000 INSTALLATION DETAILS. THIS DRAWING SHOWS RELATIONSHIP BETWEEN MOUNTING SURFACE DIMENSIONS AND OVERALL FOUNDATION DIMENSIONS.
- 4) QTY 4 ISOLATION GASKETS ARE PROVIDED IN KIT#90086 FOR FINAL INSTALLATION OF GYRO ONTO STEEL OR ALUMINUM SHIP'S STRUCTURE FOR INCREASED CORROSION PROTECTION.



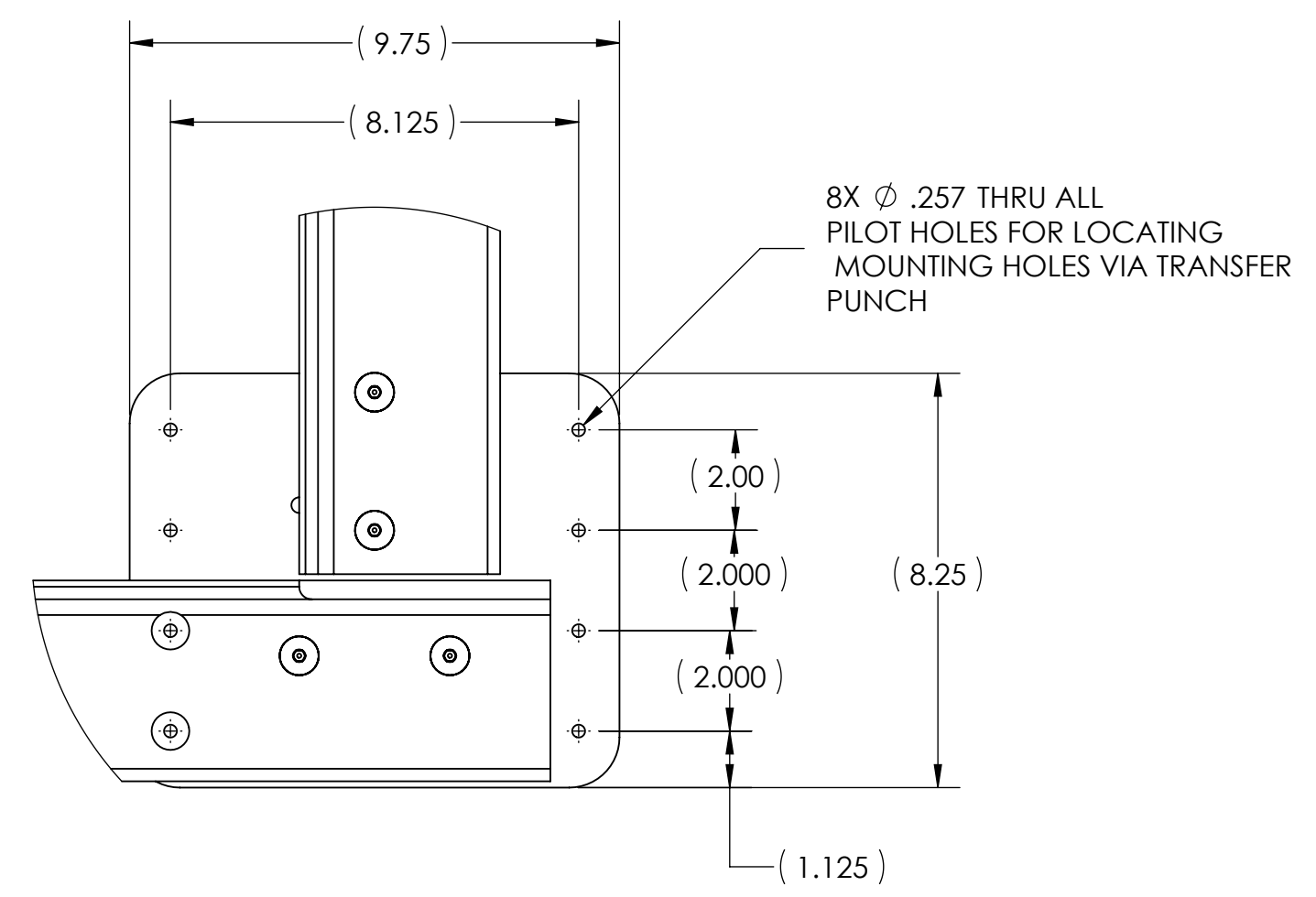
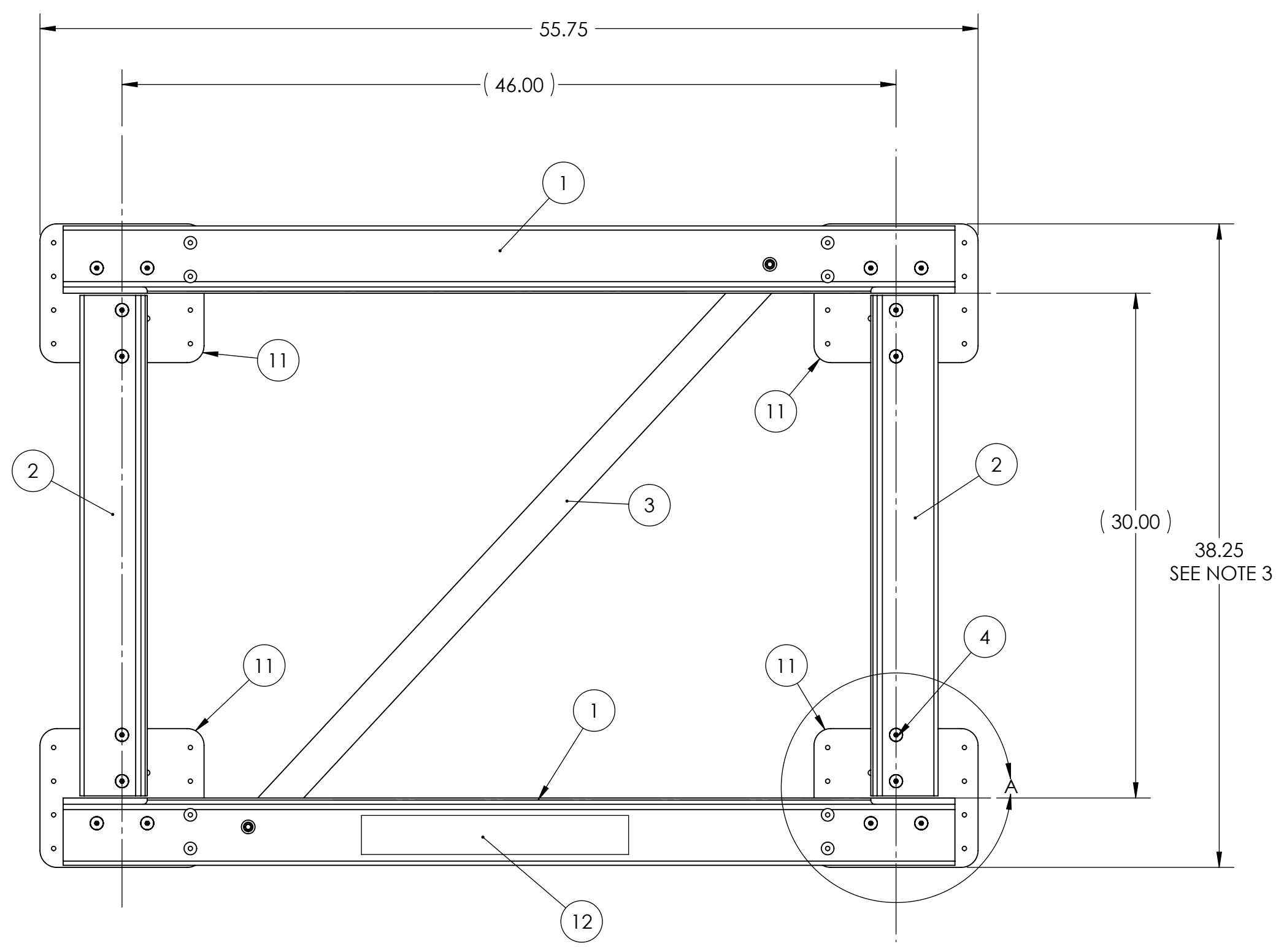
**RELEASED  
21 APR 10**

12	40158	CAUTION LABEL	1	
11	10535	Installation Fixture Plate	4	
10	40192	Hex Key Wrench, 7/32	1	
9	40191	Hex Key Wrench, 5/16	1	
8	60126	Skt Hd Cap Screw, 3/8-16 x 1.50 Lg, Alloy Steel	2	
7	60125	Hex Nut, 3/8-16, Zinc PLated Steel	2	
6	60151	Spring Lock Washer, 3/8 18-8 SS	2	
5	60150	Flat Washer, 3/8 18-8 SS	4	
4	60122	Flat Skt Head Cap Screw, 3/8-16 x .75 Long, Alloy Steel	16	
3	10515	Installation Jig Angle - Diagonal	1	
2	10514	Installation Jig Angle - Short	2	
1	10513	Installation Jig Angle - Long	2	
ITEM NO.	PartNo	DESCRIPTION	QTY	NOTE

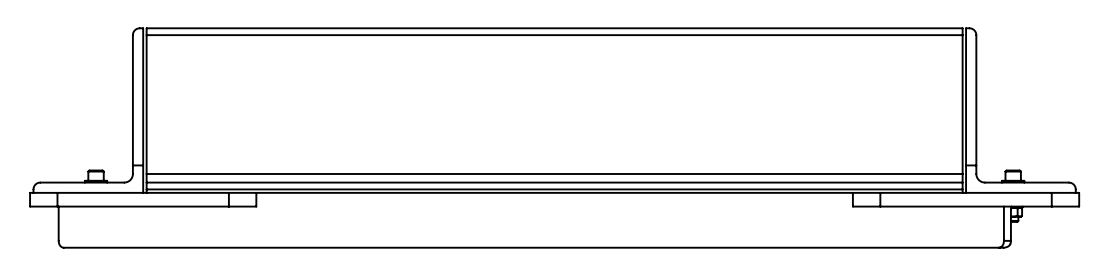
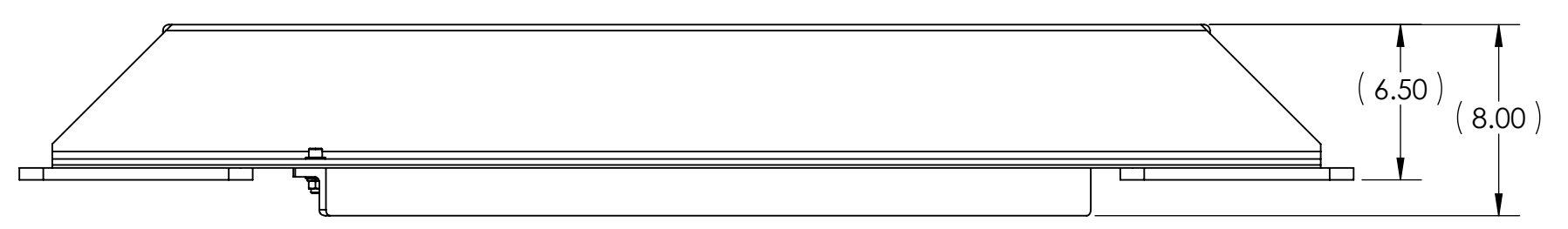
<p>THIRD ANGLE PROJECTION</p> <p>PROPRIETARY AND CONFIDENTIAL</p> <p>THE INFORMATION CONTAINED IN THIS DRAWING IS THE SOLE PROPERTY OF SEAKEEPER, INC. ANY REPRODUCTION IN PART OR AS A WHOLE WITHOUT THE WRITTEN PERMISSION OF SEAKEEPER, INC. IS PROHIBITED.</p>	<p>UNLESS OTHERWISE SPECIFIED: DIMENSIONS ARE IN INCHES TOLERANCES: -TWO PLACE DECIMAL ±0.01 -THREE PLACE DECIMAL ±.005 -ALL DIAMETERS RUNOUT TO DATUM SURFACES .005 MAX -ALL FACES PERPENDICULAR TO DATUM SURFACES .005 MAX -ALL EDGE BREAKS .010-.020 X 45° -ALL FILLET RADII .010-.020 -SURFACE FINISH</p>	NAME	DATE	<p>P.O. BOX 999 SOLOMONS, MARYLAND 20688, USA PHONE: (410) 326-1590 FAX: (410) 326-1199</p>
		DRAWN	BHS	
		CHECKED	BRD	20APR10
		QTY APPR.		
		ENG APPR.	JDA	21APR10
		COMMENTS:		
		TITLE:		<p><b>MODEL 21000 GYRO BOLT-IN INSTALLATION FIXTURE KIT</b></p>
SIZE	DWG. NO.	REV		
<b>C</b>	90089	<b>1</b>		
SCALE: 1:10		WEIGHT: 68.12		SHEET 1 OF 2

F  
E  
D  
C  
B  
A

F  
E  
D  
C  
B  
A



DETAIL A  
SCALE 2:7



**RELEASED**  
**21 APR 10**

SIZE <b>C</b>	DWG. NO. 90089	REV 1
SCALE: 1:10	WEIGHT: 68.12	SHEET 2