

NOTES:

1 SEAKEEPER 20115, DELAY-OFF TIMER BOX.

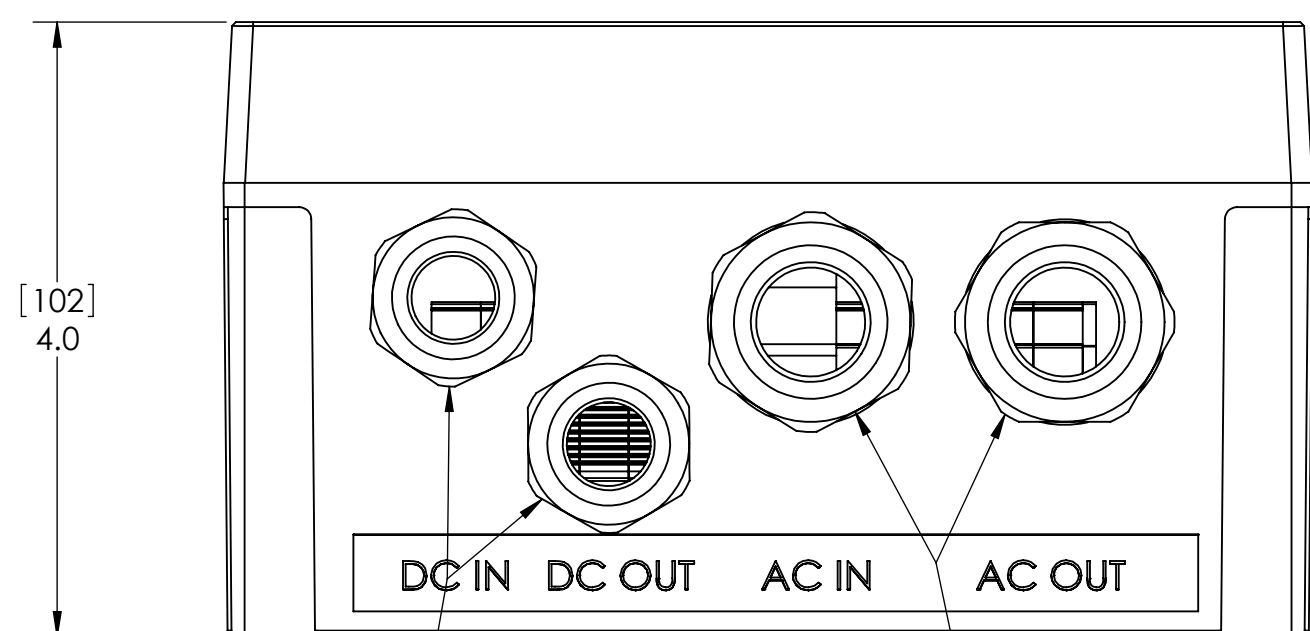
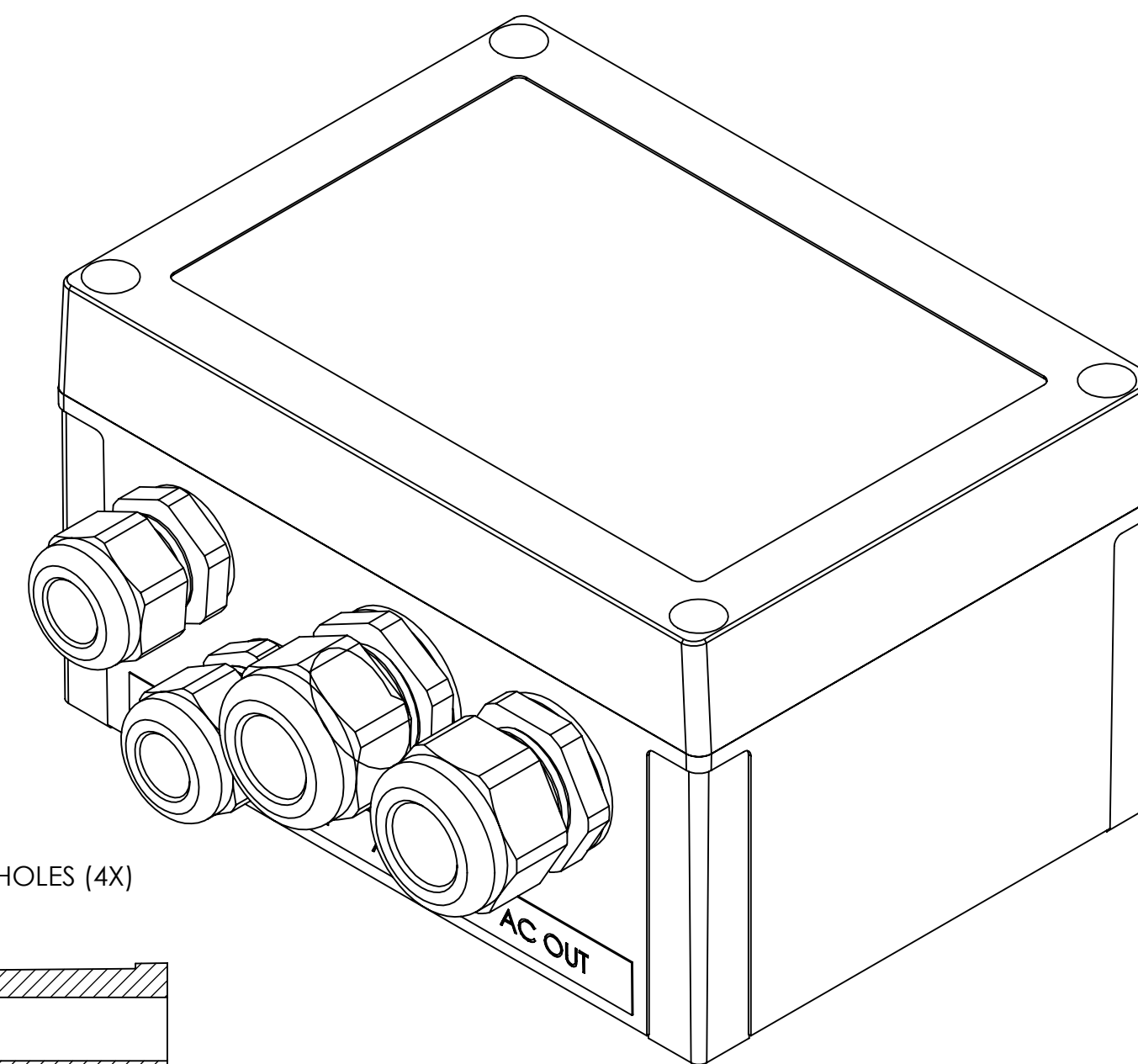
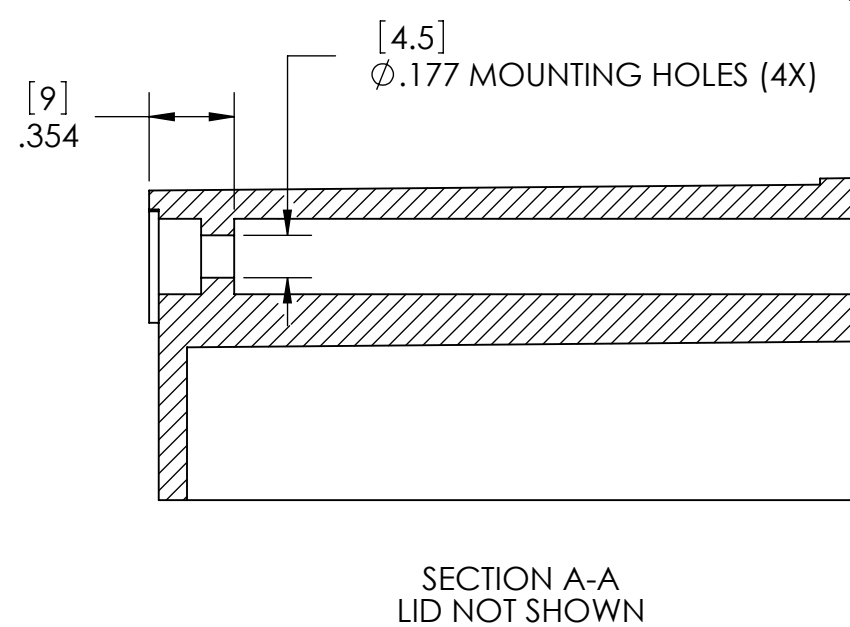
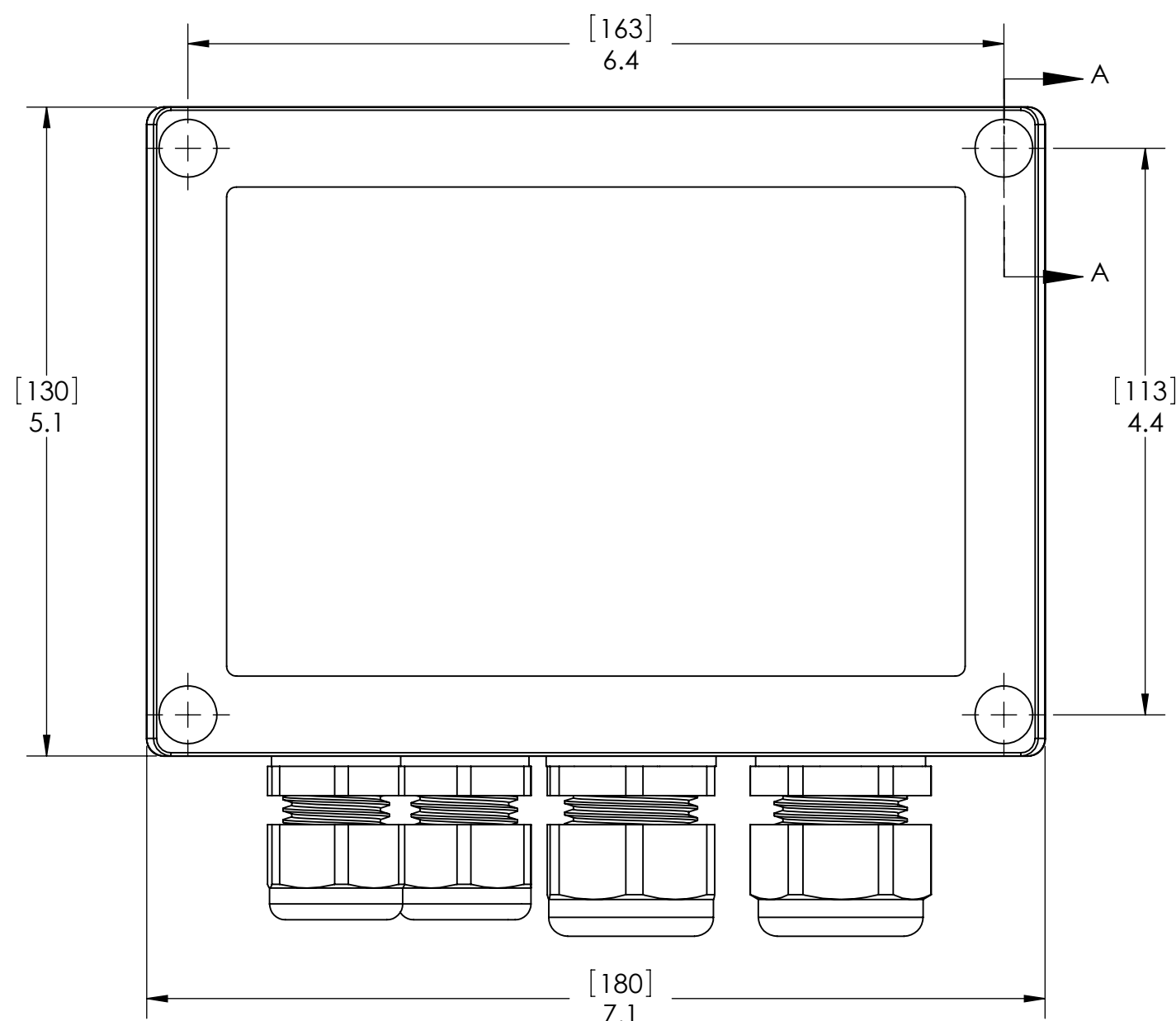
2 SPECIFICATIONS

- POWER REQUIRED: 185-240 VAC, 1 PHASE, 50/60 HZ, 20 AMPS
24 VDC, 10 AMPS
- AMBIENT AIR TEMPERATURE: 0 TO 50 DEG C
- COOLING: NONE REQUIRED WITHIN AMBIENT TEMPERATURE RANGE.
- WEIGHT: 2 LBS
- INGRESS PROTECTION: IP 55 \triangle 3

3 MOUNTING INSTRUCTIONS

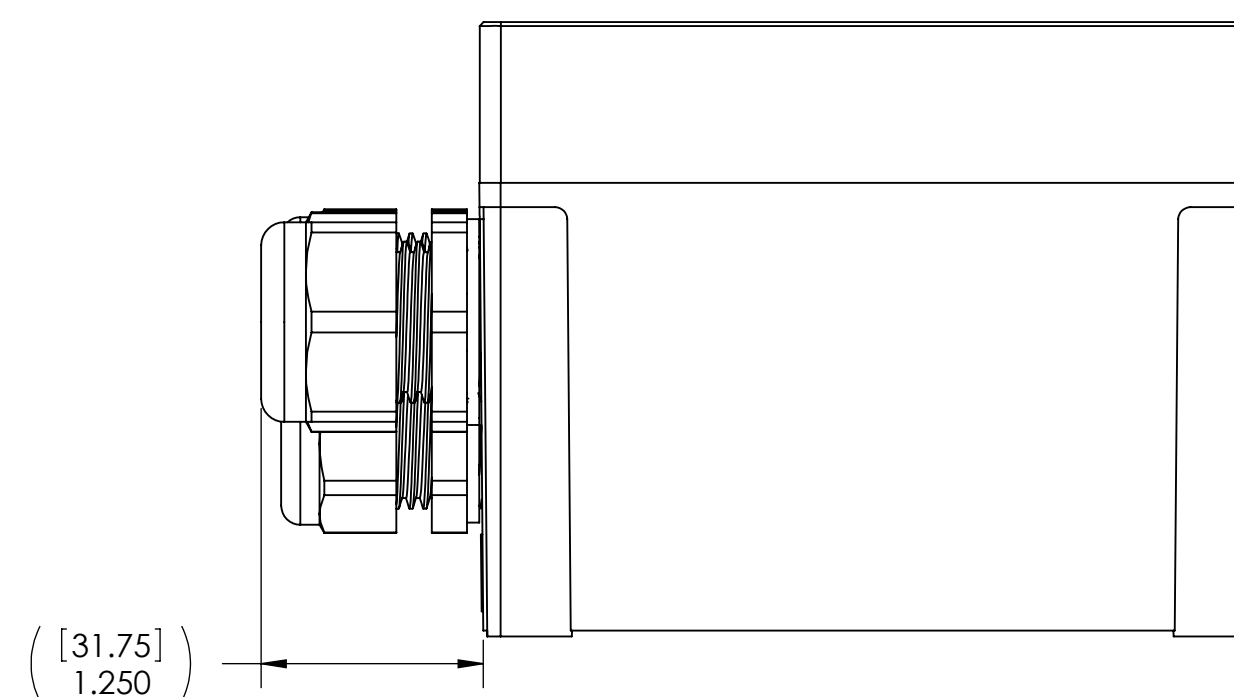
- SPACE REQUIRED: APPROX. 8" X 7" X 4" (200 X 180 X 100 mm)
- HARDWARE REQUIRED: FOUR MOUNTING SCREWS TO PRIMARY VESSEL STRUCTURE AT FOUR CORNERS. LID MUST BE REMOVED FOR MOUNTING. WHEN ASSEMBLING LID TO THE BASE, TIGHTEN THE LID SCREWS UNTIL THE CORNER "LIMITERS" TOUCH THE BASE AND THEN BACK OFF 1/8 OF A TURN. (LIMITERS ARE THERE TO LIMIT THE COMPRESSION OF THE GASKET.)
- LOCATION: OPTIMAL FOR CABLES.
- ORIENTATION: NOT CRITICAL - RECOMMEND CABLE GLANDS DOWN.

REVISIONS				
ZONE	REV.	DESCRIPTION	DATE	APPROVED
TITLE	2	ADDED MODEL APPLICABILITY TABLE & CHANGED TITLE	03DEC09	JDA
NOTES	3	CHANGE IP RATING FROM IP 66/67 TO IP 55	25MAY10	BRD

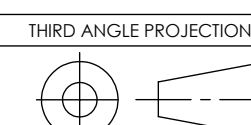


PORTS FOR DC POWER
CABLE DIAMETER
0.24 - 0.47 INCH
6.1 - 11.9 mm

PORTS FOR AC POWER
CABLE DIAMETER
0.35 - 0.63 INCH
8.9 - 16 mm



APPLICABILITY	
M7000	
M7000A	X
M21000	X



PROPRIETARY AND CONFIDENTIAL
THE INFORMATION CONTAINED IN THIS DRAWING IS THE SOLE PROPERTY OF SEAKEEPER, INC. ANY REPRODUCTION IN PART OR AS A WHOLE WITHOUT THE WRITTEN PERMISSION OF SEAKEEPER, INC. IS PROHIBITED.

UNLESS OTHERWISE SPECIFIED:
DIMENSIONS ARE IN INCHES
TOLERANCES:
FRACTIONAL ±
ANGULAR: MACH ± BEND ±
TWO PLACE DECIMAL ±0.01
THREE PLACE DECIMAL ±.005

INTERPRET GEOMETRIC TOLERANCING PER:
MATERIAL
FINISH
DO NOT SCALE DRAWING

	NAME	DATE
DRAWN	BRD	16SEPT09
CHECKED	SG	23SEPT09
ENG APPR.	JDA	23SEPT09

COMMENTS:

Seakeeper
P.O. BOX 999
SOLOMONS, MARYLAND 20688, USA
PHONE: (410) 326-1590 FAX: (410) 326-1199

TITLE: **DELAY-OFF TIMER BOX ENVELOPE & MOUNTING DETAILS**
(SEE TABLE FOR MODEL APPLICABILITY)

SIZE C	DWG. NO. 90066	REV 3
SCALE: 1:2	WEIGHT:	SHEET 1 OF 1