

8 7 6 5 4 3 2 1

NOTES:

1. SEAKEEPER 20107, OPERATOR KEYPAD.

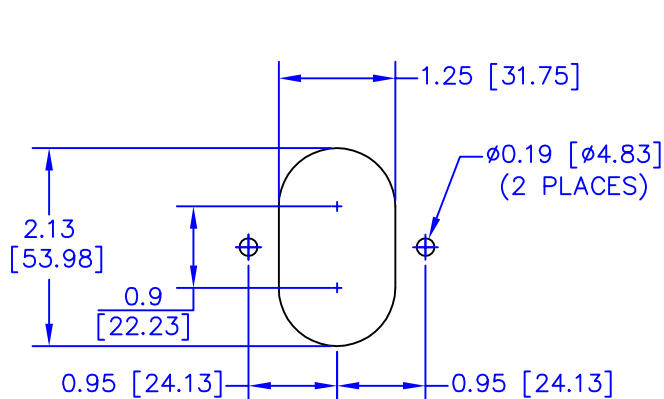
2. SPECIFICATIONS

Power Required: (from Controller)
 Ambient Air Temperature: -20 to 85 degC
 Cooling: None required within ambient temperature range
 Weight: .25 lbs (.1 Kg)
 Ingress Protection: IP 67
 Integral Cable: 1m Length

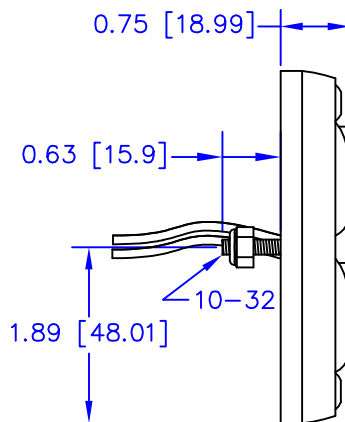
3. MOUNTING INSTRUCTIONS

Console space required: Approx. 3.5 W x 4 H inches (89 x 102 mm)
 Mounting Instructions: Front mount to vessel console panel; 1.0 inch (25.4mm) wire harness hole; two 10-32 screw holes; mount with 10-32 locknuts.
 Maximum panel thickness: .4 inches (10mm)
 Minimum panel thickness: .04 inches (1mm)

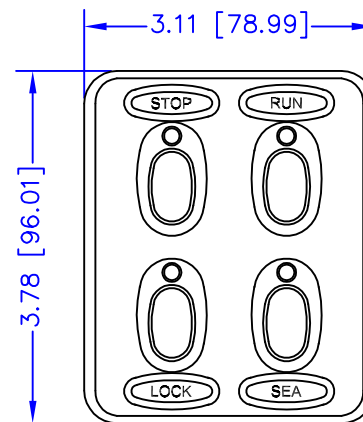
REVISIONS				
ZONE	REV	DESCRIPTION	DATE	APPROVED
4-C	2	1. ADDED 10-32 LOCKNUTS TO BODY OF DRAWING.	12JUN09	
TITLE	3	1. ADDED APPLICABILITY TABLE.	04DEC09	B. DOUTRICH J. D. ADAMS
TITLE	4	1. ADDED APPLICABILITY FOR MODELS 8000 & 21000A.	12APR11	B. DOUTRICH



PANEL CUTOUT



SIDE VIEW



FRONT VIEW

APPLICABILITY		NAME	DATE	SEAKEEPER P.O. BOX 999 SOLOMONS, MARYLAND 20686, USA PH: (410) 326-1590 FAX: (410) 326-1199	
M7000		DRAWN	S. COSS		28APR09
M7000A	X	CHECKED	B. DOUTRICH		30APR09
M8000	X	ENG APPR.	J.D. ADAMS		30APR09
M21000	X	COMMENTS:			
M21000A	X	ALL DIMENSIONS ARE IN INCHES UNLESS OTHERWISE NOTED.		TITLE OPERATOR KEYPAD ENVELOPE & MOUNTING DETAILS (SEE TABLE FOR MODEL APPLICABILITY)	
SIZE	C	DWG NO.	90035		REV 4
SCALE 1:1		WEIGHT .25 LBS. (.1 KG)		SHEET 1 OF 1	

THE INFORMATION CONTAINED IN THIS DRAWING IS THE SOLE PROPERTY OF SEAKEEPER, INC. ANY REPRODUCTION IN PART OR AS A WHOLE WITHOUT THE WRITTEN PERMISSION OF SEAKEEPER, INC. IS PROHIBITED.

8 7 6 5 4 3 2 1