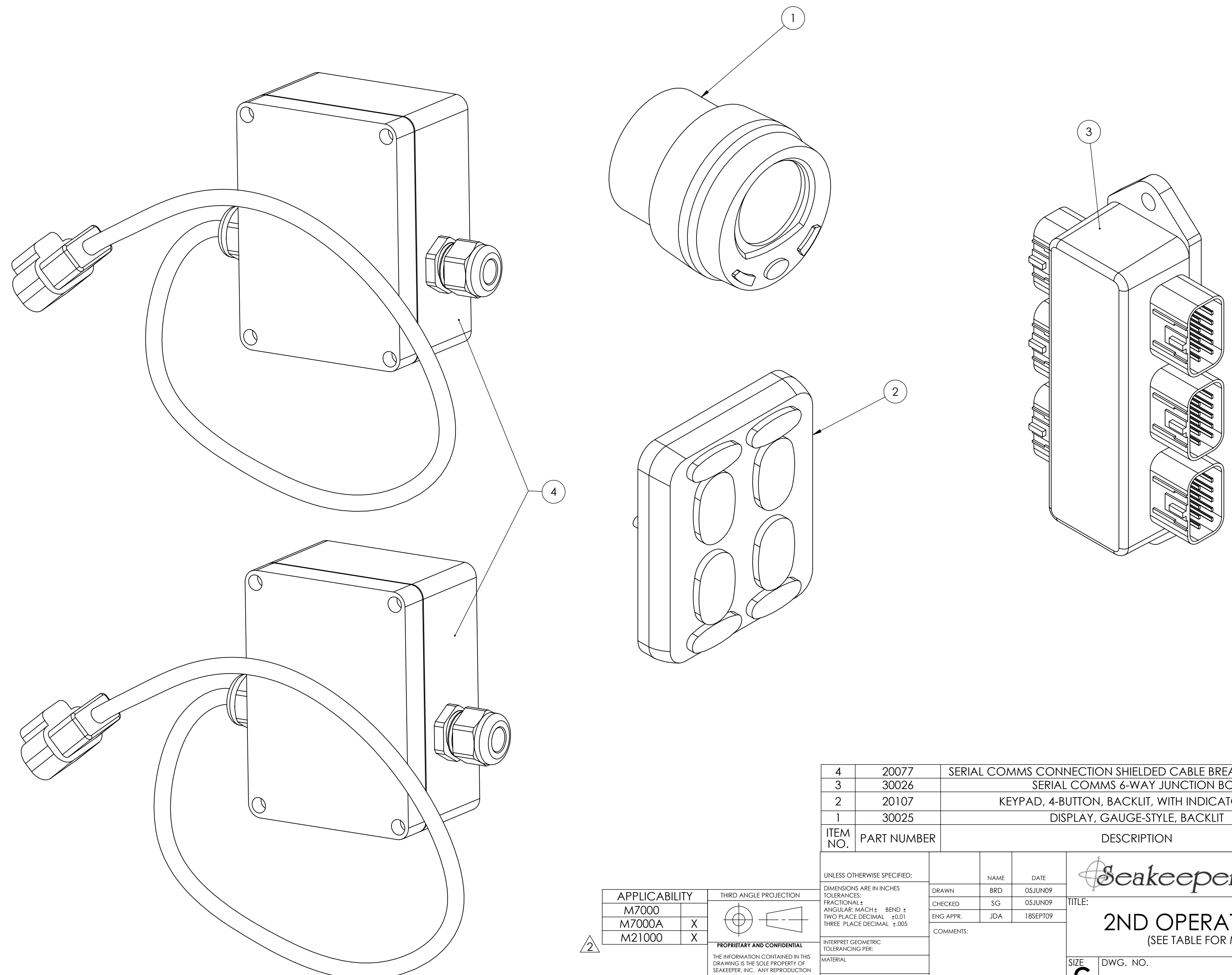


NOTES:

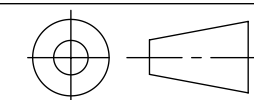
1) THIS DRAWING PROVIDES A PICTORIAL REFERENCE OF THE HARDWARE CONTAINED IN THE 2ND OPERATOR STATION KIT.

REVISIONS				
ZONE	REV.	DESCRIPTION	DATE	APPROVED
TITLE	2	ADDED MODEL APPLICABILITY TABLE & CHANGED TITLE	03DEC09	JDA




ITEM NO.	PART NUMBER	DESCRIPTION	QTY.	NOTE
4	20077	SERIAL COMMS CONNECTION SHIELDED CABLE BREAK-OUT BOX ASSY	2	
3	30026	SERIAL COMMS 6-WAY JUNCTION BOX	1	
2	20107	KEYPAD, 4-BUTTON, BACKLIT, WITH INDICATOR LEDs	1	
1	30025	DISPLAY, GAUGE-STYLE, BACKLIT	1	

APPLICABILITY	THIRD ANGLE PROJECTION
M7000	
M7000A	X
M21000	X


PROPRIETARY AND CONFIDENTIAL
 THE INFORMATION CONTAINED IN THIS DRAWING IS THE SOLE PROPERTY OF SEAKEEPER, INC. ANY REPRODUCTION IN PART OR AS A WHOLE WITHOUT THE WRITTEN PERMISSION OF SEAKEEPER, INC. IS PROHIBITED.

UNLESS OTHERWISE SPECIFIED:		NAME	DATE
DIMENSIONS ARE IN INCHES		DRAWN	BRD 05JUN09
TOLERANCES:		CHECKED	SG 05JUN09
FRACTIONAL ±		ENG APPR.	JDA 18SEPT09
ANGULAR: MACH ± BEND ±		COMMENTS:	
TWO PLACE DECIMAL ±0.01			
THREE PLACE DECIMAL ±.005			
INTERPRET GEOMETRIC TOLERANCING PER:			
MATERIAL			
FINISH			
DO NOT SCALE DRAWING			


 P.O. BOX 999
 SOLOMONS, MARYLAND 20688, USA
 PHONE: (410) 326-1590 FAX: (410) 326-1199

TITLE:
2ND OPERATOR STATION KIT
 (SEE TABLE FOR MODEL APPLICABILITY)

SIZE C	DWG. NO. 90040	REV 2
------------------	--------------------------	-----------------

SCALE: 1:1 WEIGHT: SHEET 1 OF 1