

8 7 6 5 4 3 2 1

NOTES:

1. SEAKEEPER 30025, OPERATOR DISPLAY.

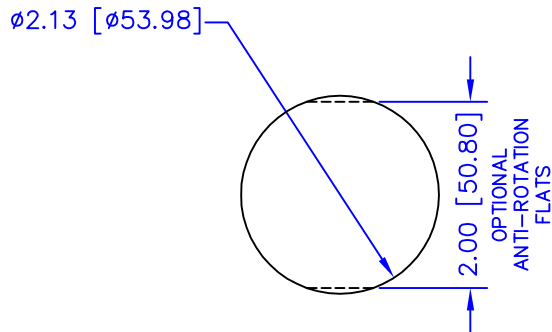
2. SPECIFICATIONS

Power Required: (from Controller)
 Ambient Air Temperature: -20 to 70 degC
 Cooling: None required within ambient temperature range
 Weight: .25 lbs (.1 Kg)
 Ingress Protection: IP 55
 Integral Cable: 1m Length

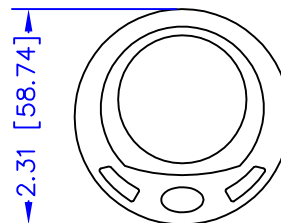
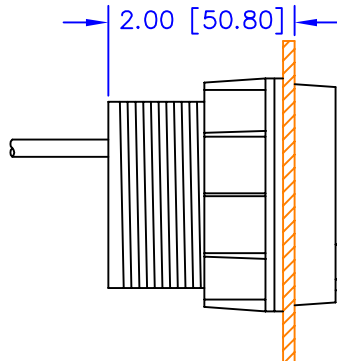
3. MOUNTING INSTRUCTIONS

Console space required: Approx. 3 W x 3 H inches (76 x 76 mm)
 Mounting Instructions: Front mount to vessel console panel, 2.125 inch (54mm) hole; with threaded mounting collar.
 Maximum panel thickness: 1.38 inches (35mm)
 Minimum panel thickness: .06 inches (1.6mm)

REVISIONS				
ZONE	REV	DESCRIPTION	DATE	APPROVED
TITLE	2	1. ADDED APPLICABILITY TABLE.	04DEC09	B. DOUTRICH J. D. ADAMS
NOTES	3	1. CHANGED INGRESS PROTECTION, WAS IP 66; ECN 0016.	27MAY10	B. DOUTRICH
TITLE	4	1. ADDED APPLICABILITY FOR MODELS 8000 & 21000A.	12APR11	B. DOUTRICH



PANEL CUTOUT



APPLICABILITY		DRAWN	NAME	DATE	SEAKEEPER P.O. BOX 999 SOLOMONS, MARYLAND 20686, USA PH: (410) 326-1590 FAX: (410) 326-1199
M7000	X	S. COSS		30JAN08	
M7000A	X	B. STEELE		30JAN08	
M8000	X	J. ADAMS		30JAN08	
M21000	X				
M21000A	X				

COMMENTS: ALL DIMENSIONS ARE IN INCHES UNLESS OTHERWISE NOTED.		TITLE OPERATOR DISPLAY ENVELOPE & MOUNTING DETAILS (SEE TABLE FOR MODEL APPLICABILITY)
SIZE C	DWG NO. 90009	REV 4
SCALE 1:1	WEIGHT .25 LBS. (.1 KG)	SHEET 1 OF 1

THE INFORMATION CONTAINED IN THIS DRAWING IS THE SOLE PROPERTY OF SEAKEEPER, INC. ANY REPRODUCTION IN PART OR AS A WHOLE WITHOUT THE WRITTEN PERMISSION OF SEAKEEPER, INC. IS PROHIBITED.

8 7 6 5 4 3 2 1