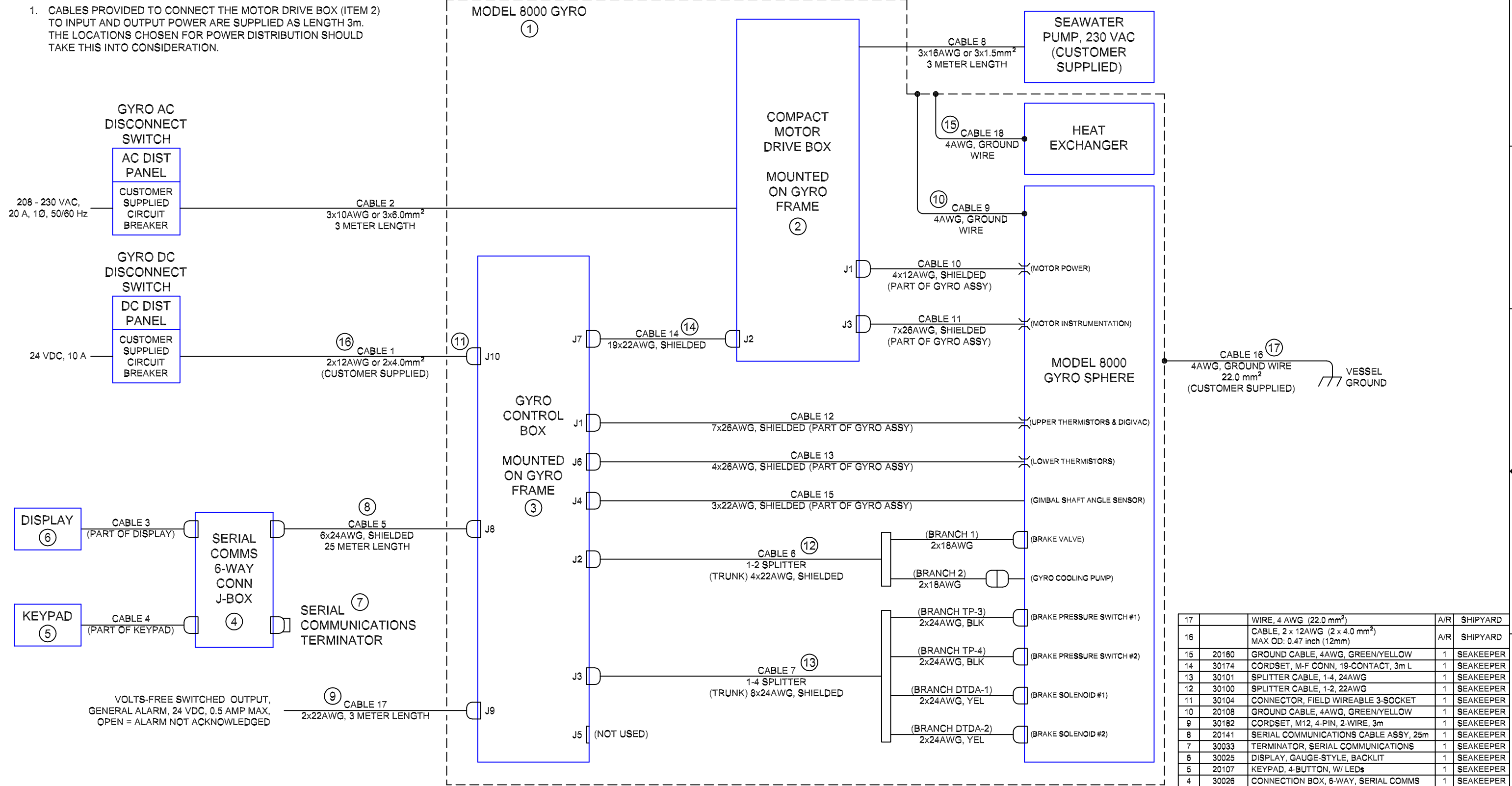


NOTES:

- CABLES PROVIDED TO CONNECT THE MOTOR DRIVE BOX (ITEM 2) TO INPUT AND OUTPUT POWER ARE SUPPLIED AS LENGTH 3m. THE LOCATIONS CHOSEN FOR POWER DISTRIBUTION SHOULD TAKE THIS INTO CONSIDERATION.



VOLTS-FREE SWITCHED OUTPUT,
GENERAL ALARM, 24 VDC, 0.5 AMP MAX,
OPEN = ALARM NOT ACKNOWLEDGED

17		WIRE, 4 AWG (22.0 mm ²)	A/R	SHIPYARD
16		CABLE, 2 x 12AWG (2 x 4.0 mm ²) MAX OD: 0.47 inch (12mm)	A/R	SHIPYARD
15	20160	GROUND CABLE, 4AWG, GREEN/YELLOW	1	SEAKEEPER
14	30174	CORDSET, M-F CONN, 19-CONTACT, 3m L	1	SEAKEEPER
13	30101	SPLITTER CABLE, 1-4, 24AWG	1	SEAKEEPER
12	30100	SPLITTER CABLE, 1-2, 22AWG	1	SEAKEEPER
11	30104	CONNECTOR, FIELD WIREABLE 3-SOCKET	1	SEAKEEPER
10	20108	GROUND CABLE, 4AWG, GREEN/YELLOW	1	SEAKEEPER
9	30182	CORDSET, M12, 4-PIN, 2-WIRE, 3m	1	SEAKEEPER
8	20141	SERIAL COMMUNICATIONS CABLE ASSY, 25m	1	SEAKEEPER
7	30033	TERMINATOR, SERIAL COMMUNICATIONS	1	SEAKEEPER
6	30025	DISPLAY, GAUGE-STYLE, BACKLIT	1	SEAKEEPER
5	20107	KEYPAD, 4-BUTTON, W/ LEDs	1	SEAKEEPER
4	30026	CONNECTION BOX, 6-WAY, SERIAL COMMS	1	SEAKEEPER
3	20133	GYRO CONTROL BOX	1	SEAKEEPER
2	10589	COMPACT MOTOR DRIVE BOX	1	SEAKEEPER
1	10602	MODEL 8000 GYRO ASSEMBLY	1	SEAKEEPER

ITEM	SEAKEEPER PART NO.	DESCRIPTION	QTY	SUPPLY
NAME	DATE	SEAKEEPER P.O. BOX 809 CALIFORNIA, MARYLAND 20819, USA PH: (410) 326-1590 FAX: (410) 326-1199		
DRAWN	21MAR11			
CHECKED	04APR11			
ENG APPR.	B.DOUTRICH 26APR11			
COMMENTS:		TITLE MODEL 8000 GYRO CABLE BLOCK DIAGRAM		
SIZE	DWG NO.	REV		
D	90149	1		
SCALE	N/A	WEIGHT	N/A	SHEET 1 OF 1

THE INFORMATION CONTAINED
IN THIS DRAWING IS THE SOLE
PROPERTY OF SEAKEEPER, INC.
ANY REPRODUCTION IN PART OR
AS A WHOLE WITHOUT THE
WRITTEN PERMISSION OF
SEAKEEPER, INC. IS PROHIBITED.

LAST CABLE NO: 18
CABLE NOS. NOT USED: NONE