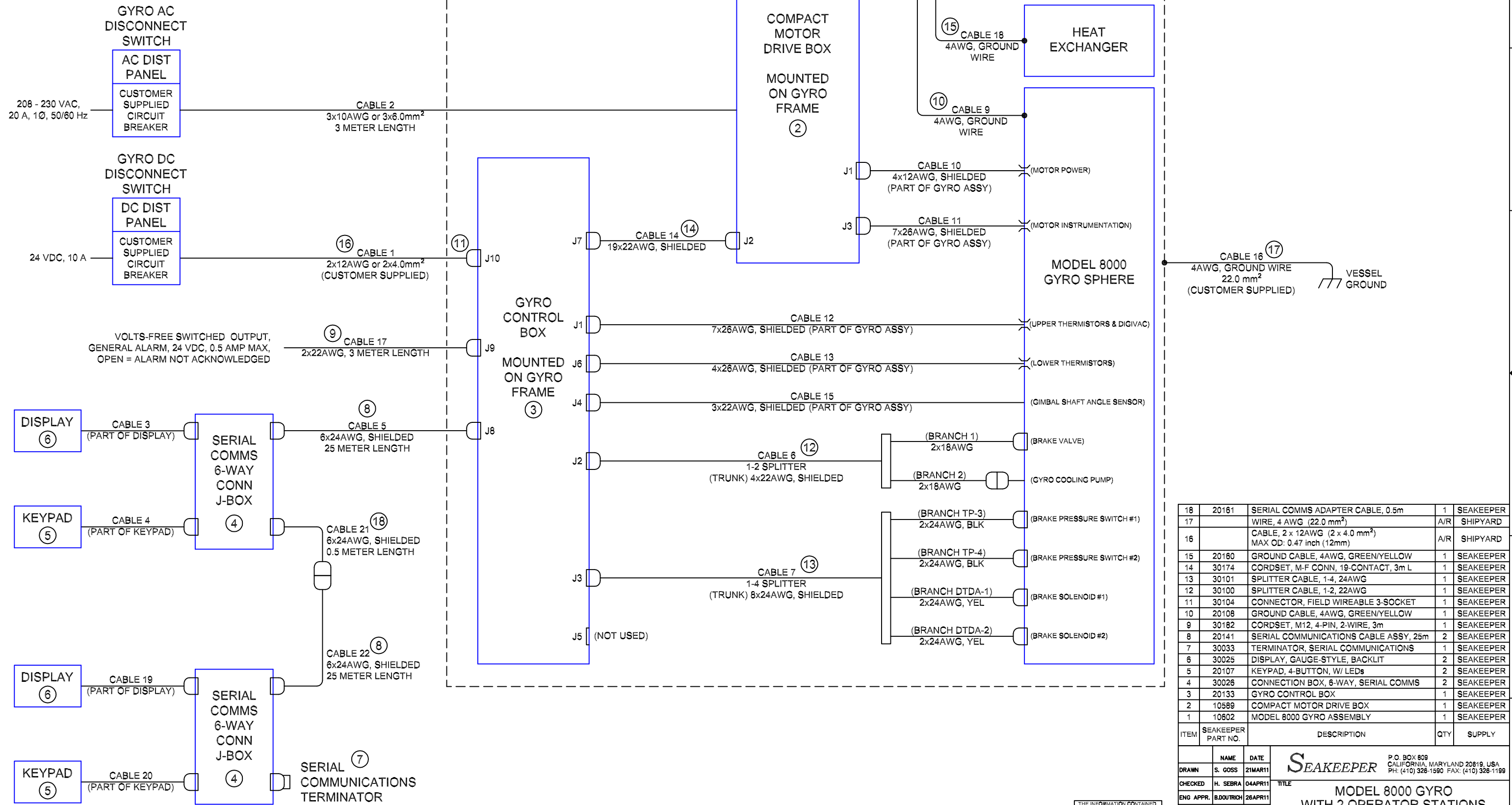


**NOTES:**

1. CABLES PROVIDED TO CONNECT THE MOTOR DRIVE BOX (ITEM 2) TO INPUT AND OUTPUT POWER ARE SUPPLIED AS LENGTH 3m. THE LOCATIONS CHOSEN FOR POWER DISTRIBUTION SHOULD TAKE THIS INTO CONSIDERATION.



ITEM	SEAKEEPER PART NO.	DESCRIPTION	QTY	SUPPLY
18	20161	SERIAL COMMS ADAPTER CABLE, 0.5m	1	SEAKEEPER
17		WIRE, 4 AWG (22.0 mm <sup>2</sup> )	A/R	SHIPYARD
16		CABLE, 2 x 12AWG (2 x 4.0 mm <sup>2</sup> ) MAX OD: 0.47 inch (12mm)	A/R	SHIPYARD
15	20160	GROUND CABLE, 4AWG, GREEN/YELLOW	1	SEAKEEPER
14	30174	CORDSET, M-F CONN, 19-CONTACT, 3m L	1	SEAKEEPER
13	30101	SPLITTER CABLE, 1-4, 24AWG	1	SEAKEEPER
12	30100	SPLITTER CABLE, 1-2, 22AWG	1	SEAKEEPER
11	30104	CONNECTOR, FIELD WIREABLE 3-SOCKET	1	SEAKEEPER
10	20108	GROUND CABLE, 4AWG, GREEN/YELLOW	1	SEAKEEPER
9	30182	CORDSET, M12, 4-PIN, 2-WIRE, 3m	1	SEAKEEPER
8	20141	SERIAL COMMUNICATIONS CABLE ASSY, 25m	2	SEAKEEPER
7	30033	TERMINATOR, SERIAL COMMUNICATIONS	1	SEAKEEPER
6	30025	DISPLAY, GAUGE-STYLE, BACKLIT	2	SEAKEEPER
5	20107	KEYPAD, 4-BUTTON, W/ LEDs	2	SEAKEEPER
4	30026	CONNECTION BOX, 6-WAY, SERIAL COMMS	2	SEAKEEPER
3	20133	GYRO CONTROL BOX	1	SEAKEEPER
2	10589	COMPACT MOTOR DRIVE BOX	1	SEAKEEPER
1	10602	MODEL 8000 GYRO ASSEMBLY	1	SEAKEEPER

THE INFORMATION CONTAINED IN THIS DRAWING IS THE SOLE PROPERTY OF SEAKEEPER, INC. ANY REPRODUCTION IN PART OR AS A WHOLE WITHOUT THE WRITTEN PERMISSION OF SEAKEEPER, INC. IS PROHIBITED.

LAST CABLE NO: 22  
CABLE NOS. NOT USED: NONE

DRAWN	S. GOSS	DATE	21MAR11
CHECKED	H. SEBRA	DATE	04APR11
ENG APPR.	B.DOUTRICH	DATE	26APR11
COMMENTS:			

**SEAKEEPER** P.O. BOX 809 CALIFORNIA, MARYLAND 20819, USA PH: (410) 326-1590 FAX: (410) 326-1199

**MODEL 8000 GYRO WITH 2 OPERATOR STATIONS CABLE BLOCK DIAGRAM**

SIZE **D** DWG NO. **90150** REV **1**

SCALE **N/A** WEIGHT **N/A** SHEET **1 OF 1**