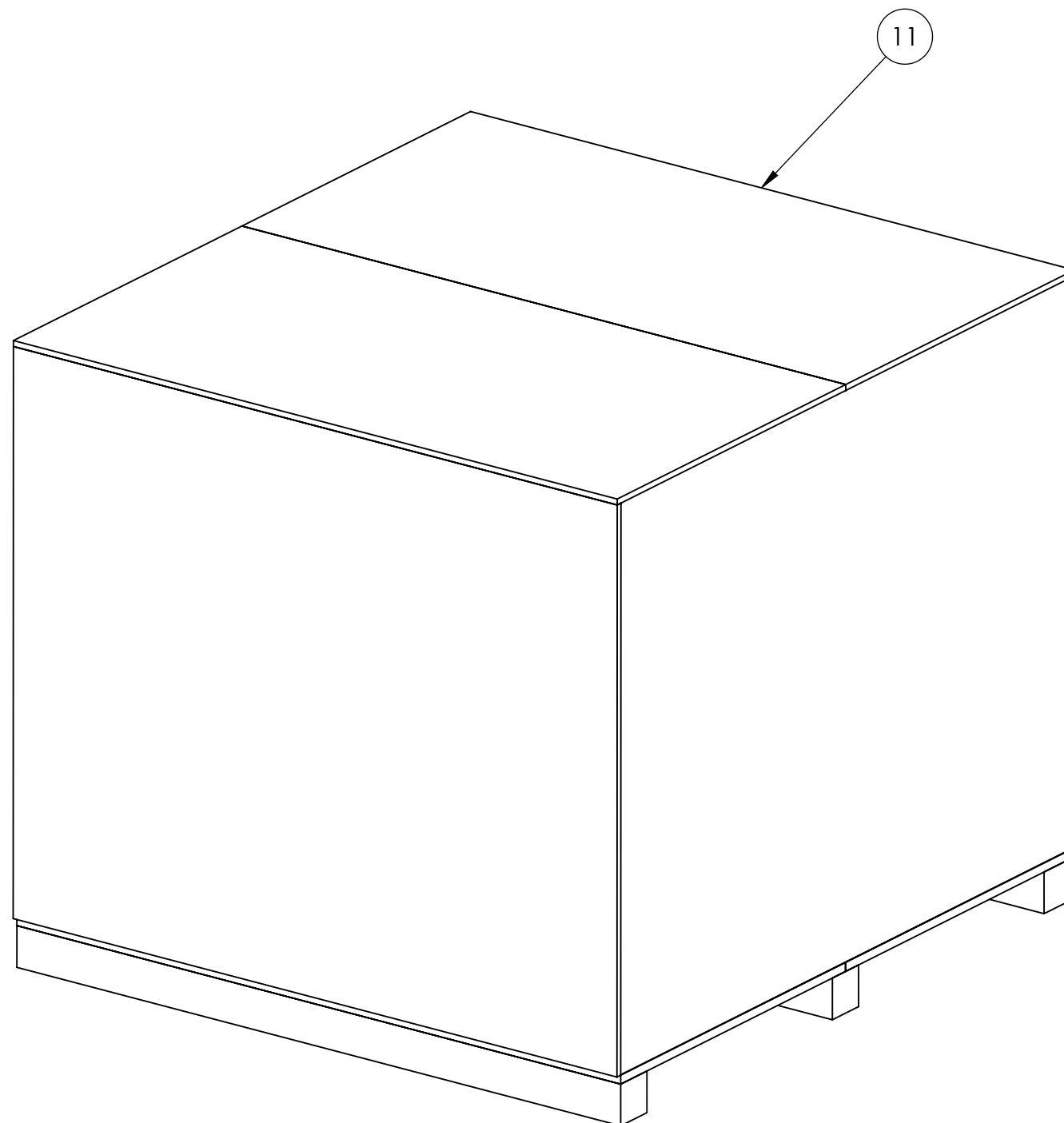
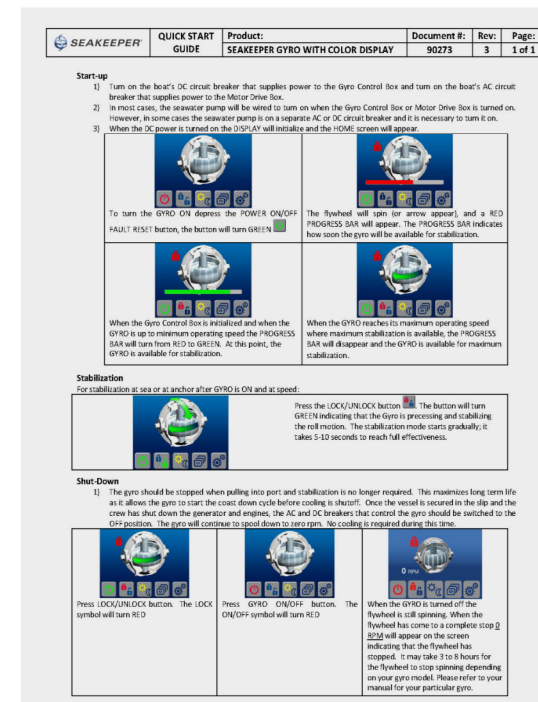
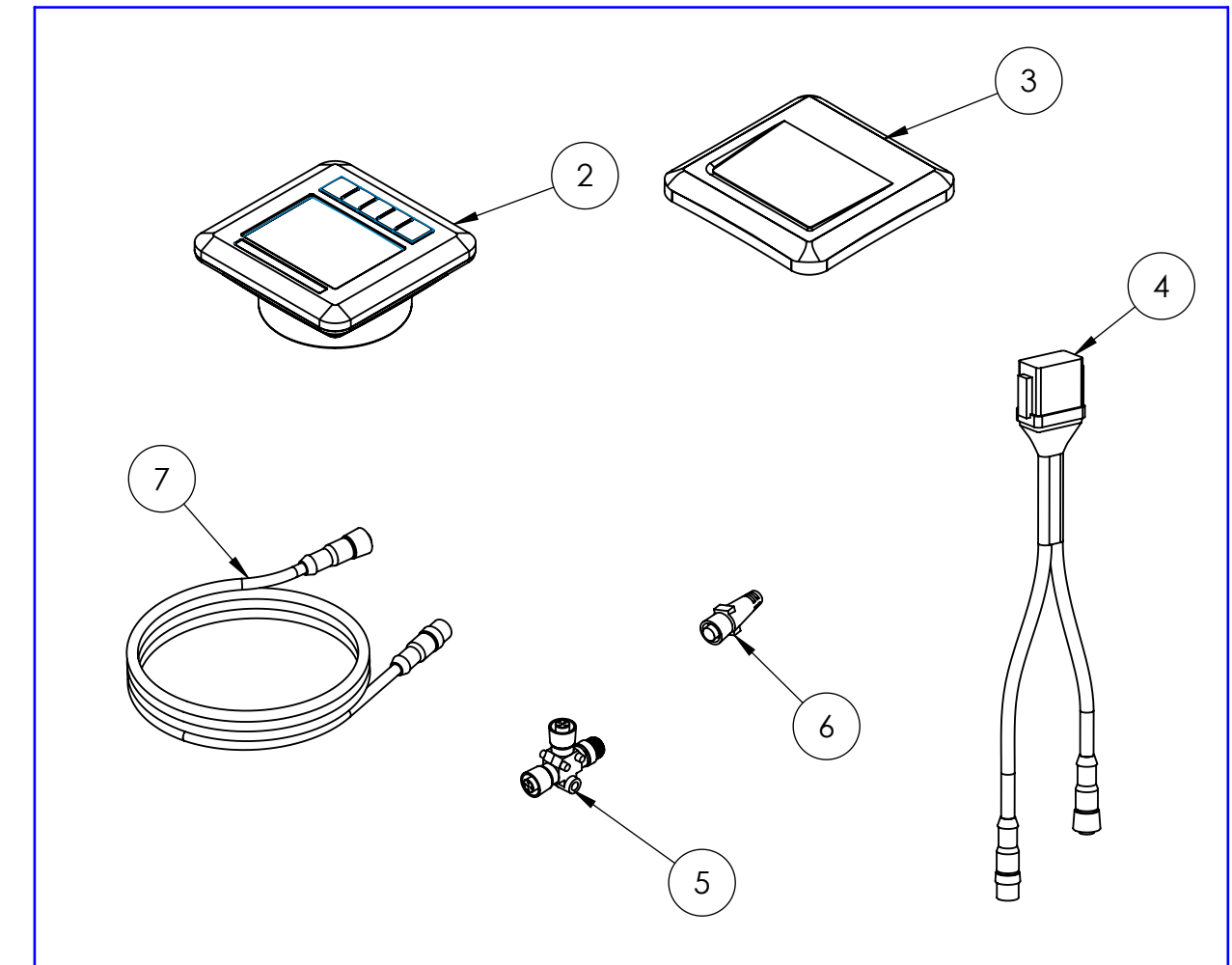
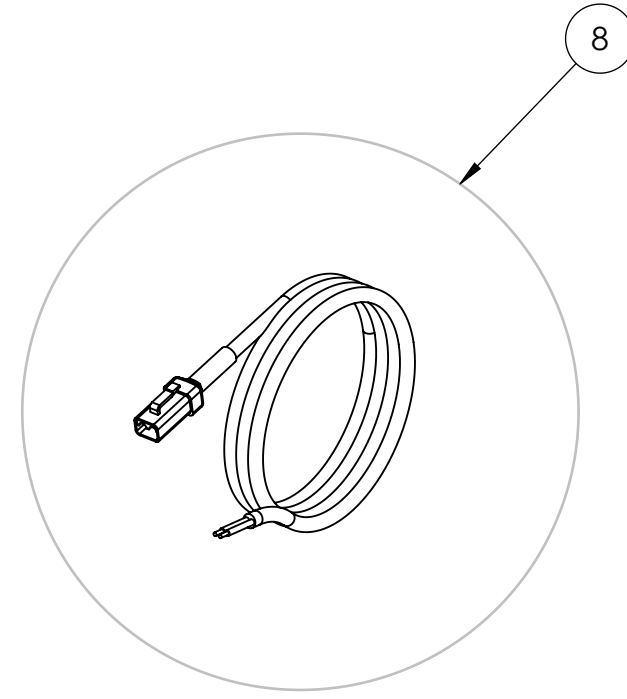
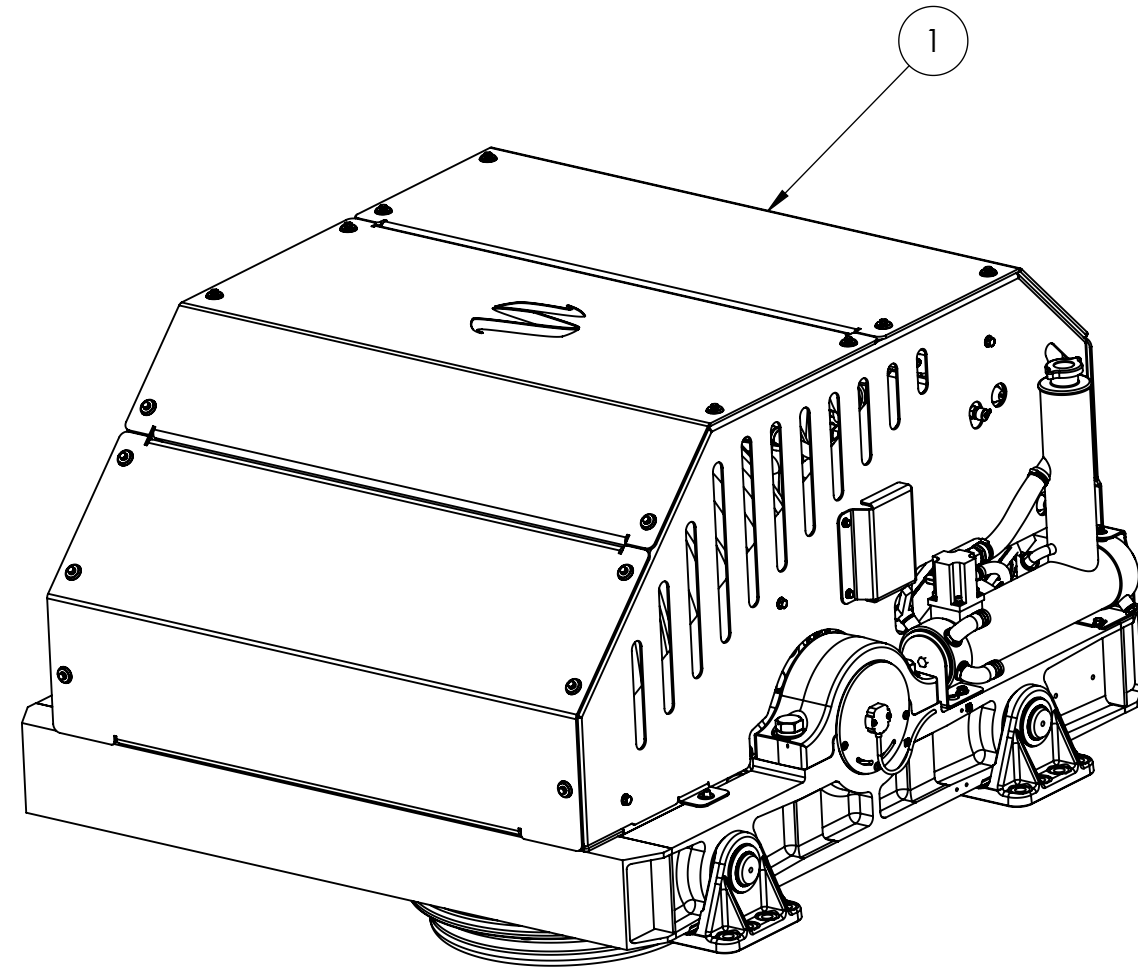


ATTENTION: BEFORE REMOVING GYRO, USE THIS DRAWING AS A CHECKLIST TO ENSURE ALL NECESSARY ITEMS ARE PRESENT WITHIN THE SHIPPING CRATE. (SOME ITEMS COULD BE PACKED UNDERNEATH THE GYRO).

REV NO.	ECN NO.	ZONE	DESCRIPTION	DATE	APPRVD.
2	287 & 301		NEW DISPLAY AND ELECTRONIC MANUAL	3/13/2015	BRD
3	332		LOGO CHANGE	29SEP2016	BRD



ITEMS NOT SHOWN TO SCALE. SOME ITEMS MAY APPEAR LARGER THAN NORMAL

ITEM NO.	DESCRIPTION	QTY.	NOTES
1	SEAKEEPER GYRO, MODEL 35	1	
2	GYRO CONTROLLER DISPLAY	1	
3	DISPLAY SUN COVER	1	
4	DISPLAY INTERFACE CABLE	1	
5	CABLE "T" ADAPTER	1	
6	CABLE TERMINATOR, FEMALE	1	
7	25 METER CABLE, GYRO TO DISPLAY	1	
8	GYRO DC INPUT, POWER CABLE ASSEMBLY	1	
9	SEAKEEPER QUICK START GUIDE	1	
10	SEAKEEPER ELECTRONIC MANUAL DOCUMENT	1	
11	SEAKEEPER 35 SHIPPING CRATE	1	

PROPRIETARY AND CONFIDENTIAL

THE INFORMATION CONTAINED IN THIS DRAWING IS THE SOLE PROPERTY OF SEAKEEPER INCORPORATED. ANY REPRODUCTION IN PART OR AS A WHOLE WITHOUT THE WRITTEN PERMISSION OF SEAKEEPER IS PROHIBITED.

SEAKEEPER
Seakeeper Inc. 44425 Pecan Court, Suite 151 California, MD 20619

NAME: **SEAKEEPER 35 GYRO HARDWARE SCOPE OF SUPPLY**

WEIGHT - LBS: _____

MATERIAL: _____

DRAWN: PRA DATE: 28 JUL 2014
 ENG APPR: BRD DATE: 28 JUL 2014
 PROD APPR: _____ DATE: _____

DWG NUMBER: **90233** REV. NO. SHEET NO.: **3** 1 OF 1