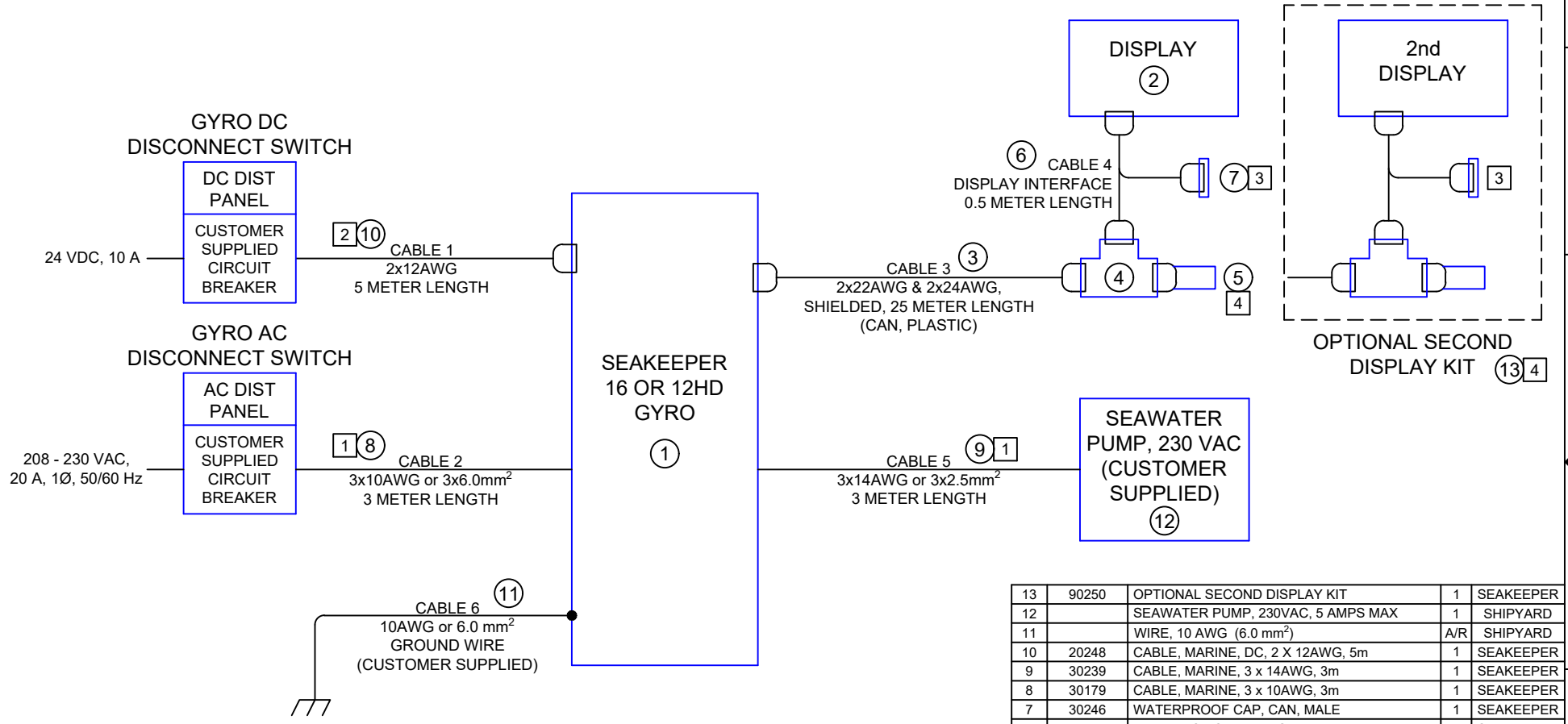



REVISIONS					
REV	ECN NO.	ZONE	DESCRIPTION	DATE	APPROVED
2	248	3-F	1. CHANGED DISPLAY AND REMOVED CONN & SEAL.	25FEB15	T. VAN WERT
3	N/A	P/L	1. CHANGED DESC OF ITEM 12, NO FLOW REQMT.	07APR15	T. VAN WERT
4	338	4-C P/L	1. CHANGED CABLE 5 MAT'L, WAS 3x14AWG. 2. ADDED CUSTOMER SUPPLIED FUSES ON CBL 5.	10JUL15	T. VAN WERT
5	467 463	2-A-4-C P/L P/L	1. ADDED MODEL 12HD, REVERTED CABLE 5 MAT'L. 2. REMOVED ITEM 14, CUSTOMER SUPPLIED FUSES. 3. CHANGED ITEM 11, WAS 4 AWG.	20OCT16	---



NOTES:

- 1 CABLES PROVIDED TO CONNECT THE AC INPUT POWER (ITEM 8) AND SEAWATER PUMP OUTPUT POWER (ITEM 9) ARE SUPPLIED AS LENGTH 3m. THE LOCATIONS CHOSEN FOR POWER DISTRIBUTION SHOULD TAKE THIS INTO CONSIDERATION.
- 2 CABLE PROVIDED TO CONNECT THE DC INPUT POWER (ITEM 10) IS SUPPLIED AS LENGTH 5m. THE LOCATION CHOSEN FOR POWER DISTRIBUTION SHOULD TAKE THIS INTO CONSIDERATION.
- 3 2nd CABLE FROM REAR OF DISPLAY IS ISOLATED FOR SHIP MONITOR CANbus.
- 4 WHEN 2nd DISPLAY IS INSTALLED, CONNECT 2nd CAN CABLE TO 1st TEE AND MOVE TERMINATOR TO END OF 2nd TEE.

13	90250	OPTIONAL SECOND DISPLAY KIT	1	SEAKEEPER
12		SEAWATER PUMP, 230VAC, 5 AMPS MAX	1	SHIPYARD
11		WIRE, 10 AWG (6.0 mm ²)	A/R	SHIPYARD
10	20248	CABLE, MARINE, DC, 2 X 12AWG, 5m	1	SEAKEEPER
9	30239	CABLE, MARINE, 3 x 14AWG, 3m	1	SEAKEEPER
8	30179	CABLE, MARINE, 3 x 10AWG, 3m	1	SEAKEEPER
7	30246	WATERPROOF CAP, CAN, MALE	1	SEAKEEPER
6	20223	INTERFACE CABLE, DISPLAY	1	SEAKEEPER
5	30249	TERMINATOR, CAN, 120 OHM, FEMALE	1	SEAKEEPER
4	30244	TEE ADAPTER, CAN, 3-WAY, F-M-F	1	SEAKEEPER
3	30243	CABLE, CAN, FEMALE-MALE, 25m	1	SEAKEEPER
2	30268	DISPLAY, COLOR, IP67, w/ KEY SWITCHES	1	SEAKEEPER
1	90364	SEAKEEPER 12HD GYRO ASSEMBLY	1	SEAKEEPER
	90243	SEAKEEPER 16 GYRO ASSEMBLY		
ITEM	SEAKEEPER PART NO.	DESCRIPTION	QTY	SUPPLY

<table border="1"> <tr> <th>NAME</th> <th>DATE</th> </tr> <tr> <td>S. GOSS</td> <td>29OCT14</td> </tr> <tr> <th>CHECKED</th> <th>DATE</th> </tr> <tr> <td>S. COOK</td> <td>29OCT14</td> </tr> <tr> <th>ENG APPR.</th> <th>DATE</th> </tr> <tr> <td>R. KEOWN</td> <td>30OCT14</td> </tr> </table>	NAME	DATE	S. GOSS	29OCT14	CHECKED	DATE	S. COOK	29OCT14	ENG APPR.	DATE	R. KEOWN	30OCT14	 <p>44425 PECAN COURT, SUITE 151 CALIFORNIA, MARYLAND 20619, USA PH: (410) 326-1590 FAX: (410) 326-1199</p>
NAME	DATE												
S. GOSS	29OCT14												
CHECKED	DATE												
S. COOK	29OCT14												
ENG APPR.	DATE												
R. KEOWN	30OCT14												
<p>TITLE SEAKEEPER 16 / 12HD GYRO CABLE BLOCK DIAGRAM</p>													
<p>SCALE N/A</p>	<p>DWG NO. 90306</p>												
<p>REV 5</p>	<p>SHEET 1 OF 1</p>												