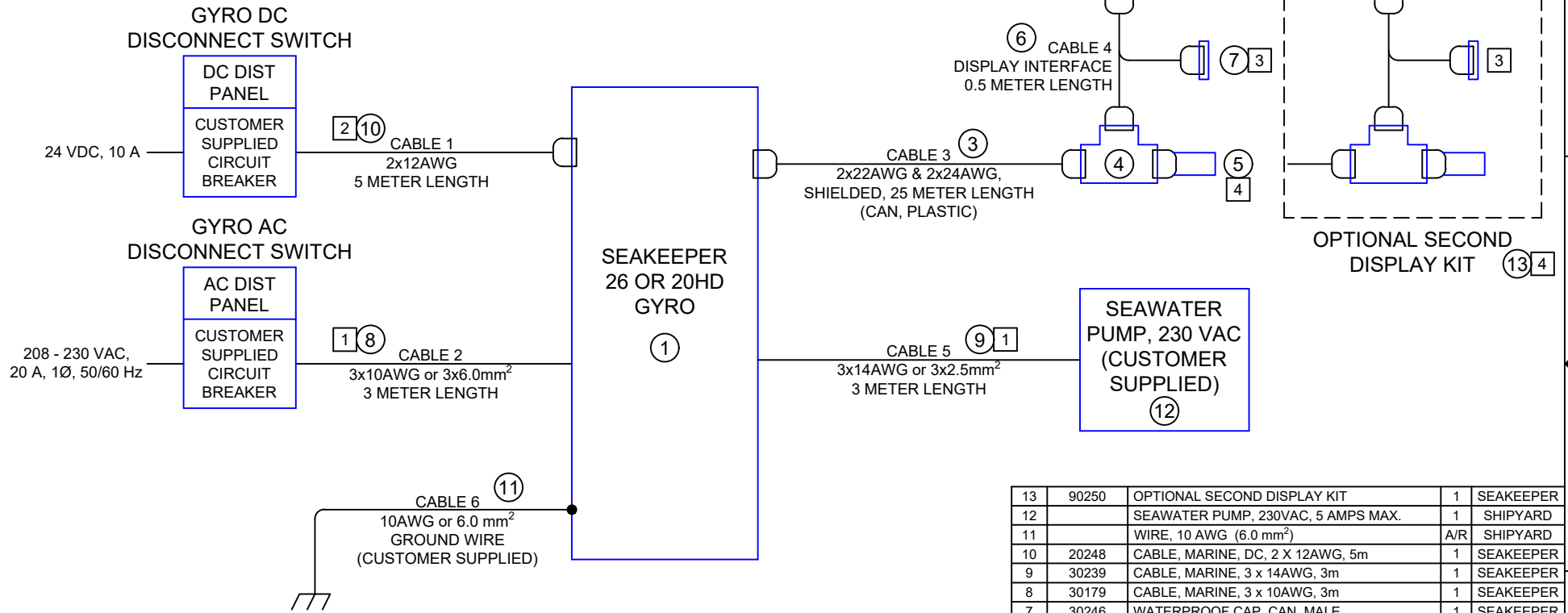


| REVISIONS | | | | | |
|-----------|------------|--------------------------|-------------------------------------------------------------------------------------------------------------------------------|---------|-------------|
| REV | ECN NO. | ZONE | DESCRIPTION | DATE | APPROVED |
| 2 | 286 | 3-F | 1. CHANGED DISPLAY AND REMOVED CONN & SEAL. | 25FEB15 | T. VAN WERT |
| 3 | 341 | 4-C P/L | 1. CHANGED CABLE 5 MAT'L. WAS 3x14AWG. 2. ADDED CUSTOMER SUPPLIED FUSES ON CBL 5. | 10JUL15 | T. VAN WERT |
| 4 | 468 465 | 2-A 4-C P/L P/L | 1. ADDED MODEL 20HD & REVERTED CBL 5 MAT'L. 2. REMOVED ITEM 14, CUSTOMER SUPPLIED FUSES. 3. CHANGED ITEM 11, WAS 4 AWG. | 20OCT16 | B.DOUTRICH |



NOTES:

- 1 CABLES PROVIDED TO CONNECT THE AC INPUT POWER (ITEM 8) AND SEAWATER PUMP OUTPUT POWER (ITEM 9) ARE SUPPLIED AS LENGTH 3m. THE LOCATIONS CHOSEN FOR POWER DISTRIBUTION SHOULD TAKE THIS INTO CONSIDERATION.
- 2 CABLE PROVIDED TO CONNECT THE DC INPUT POWER (ITEM 10) IS SUPPLIED AS LENGTH 5m. THE LOCATION CHOSEN FOR POWER DISTRIBUTION SHOULD TAKE THIS INTO CONSIDERATION.
- 3 2nd CABLE FROM REAR OF DISPLAY IS ISOLATED FOR SHIP MONITOR CANbus.
- 4 WHEN 2nd DISPLAY IS INSTALLED, CONNECT 2nd CAN CABLE TO 1st TEE AND MOVE TERMINATOR TO END OF 2nd TEE.

| 13 | 90250 | OPTIONAL SECOND DISPLAY KIT | 1 | SEAKEEPER |
|------|--------------------|---------------------------------------|-----|-----------|
| 12 | | SEAWATER PUMP, 230VAC, 5 AMPS MAX. | 1 | SHIPYARD |
| 11 | | WIRE, 10 AWG (6.0 mm ²) | A/R | SHIPYARD |
| 10 | 20248 | CABLE, MARINE, DC, 2 X 12AWG, 5m | 1 | SEAKEEPER |
| 9 | 30239 | CABLE, MARINE, 3 x 14AWG, 3m | 1 | SEAKEEPER |
| 8 | 30179 | CABLE, MARINE, 3 x 10AWG, 3m | 1 | SEAKEEPER |
| 7 | 30246 | WATERPROOF CAP, CAN, MALE | 1 | SEAKEEPER |
| 6 | 20223 | INTERFACE CABLE, DISPLAY | 1 | SEAKEEPER |
| 5 | 30249 | TERMINATOR, CAN, 120 OHM, FEMALE | 1 | SEAKEEPER |
| 4 | 30244 | TEE ADAPTER, CAN, 3-WAY, F-M-F | 1 | SEAKEEPER |
| 3 | 30243 | CABLE, CAN, FEMALE-MALE, 25m | 1 | SEAKEEPER |
| 2 | 30268 | DISPLAY, COLOR, IP67, w/ KEY SWITCHES | 1 | SEAKEEPER |
| 1 | 90416 | SEAKEEPER 20HD GYRO ASSEMBLY | 1 | SEAKEEPER |
| | 90244 | SEAKEEPER 26 GYRO ASSEMBLY | | |
| ITEM | SEAKEEPER PART NO. | DESCRIPTION | QTY | SUPPLY |

| | | | | |
|-------------------------------------------------------------|------------|--------|---------|-----------------------------------------------------------------------------------------------------------|
| DRAWN | S. GOSS | DATE | 05AUG14 | 44425 PECAN COURT, SUITE 151 CALIFORNIA, MARYLAND 20619, USA PH: (410) 326-1590 FAX: (410) 326-1199 |
| CHECKED | B.DOUTRICH | DATE | 05AUG14 | |
| ENG APPR. | R. KEOWN | DATE | 05AUG14 | |
| COMMENTS: | | | | |
| SEAKEEPER 26 / 20HD GYRO CABLE BLOCK DIAGRAM | | | | |
| SIZE | DWG NO. | | REV | |
| C | 90310 | | 4 | |
| SCALE | N/A | WEIGHT | N/A | SHEET 1 OF 1 |