

NOTES:

1. SEAKEEPER 30268, OPERATOR DISPLAY.

2. SPECIFICATIONS

Power Required: (from Controller)  
 Ambient Air Temperature: -20 to 70 degC  
 Cooling: None required within ambient temperature range  
 Weight: .25 lbs (.1 Kg)  
 Ingress Protection: IP67 Overall and IP66 Front  
 Cable: 0.5m Length, P/N 20223

3. SURFACE MOUNTING INSTRUCTIONS

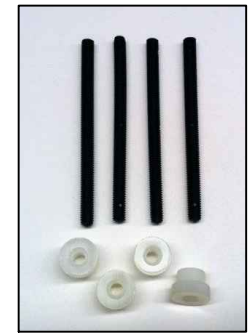
Console space required: Approx. 4.6 W x 4.6 H inches (117 x 117 mm)  
 Mounting Instructions: Surface mount to vessel console panel, 3.77 inch (96mm) square cutout with 0.23 inch (6mm) radius corners.  
 Use template provided in Installation Manual.  
 Includes threaded mounting kit.  
 Maximum panel thickness: 0.750 inches (19 mm)  
 Minimum panel thickness: .120 inches (3 mm)  
 Refer to display drawing dimensions and mounting template before installing.  
**VERIFY ALL DIMENSIONS BEFORE MOUNTING OR CUTTING ANY HOLES.**



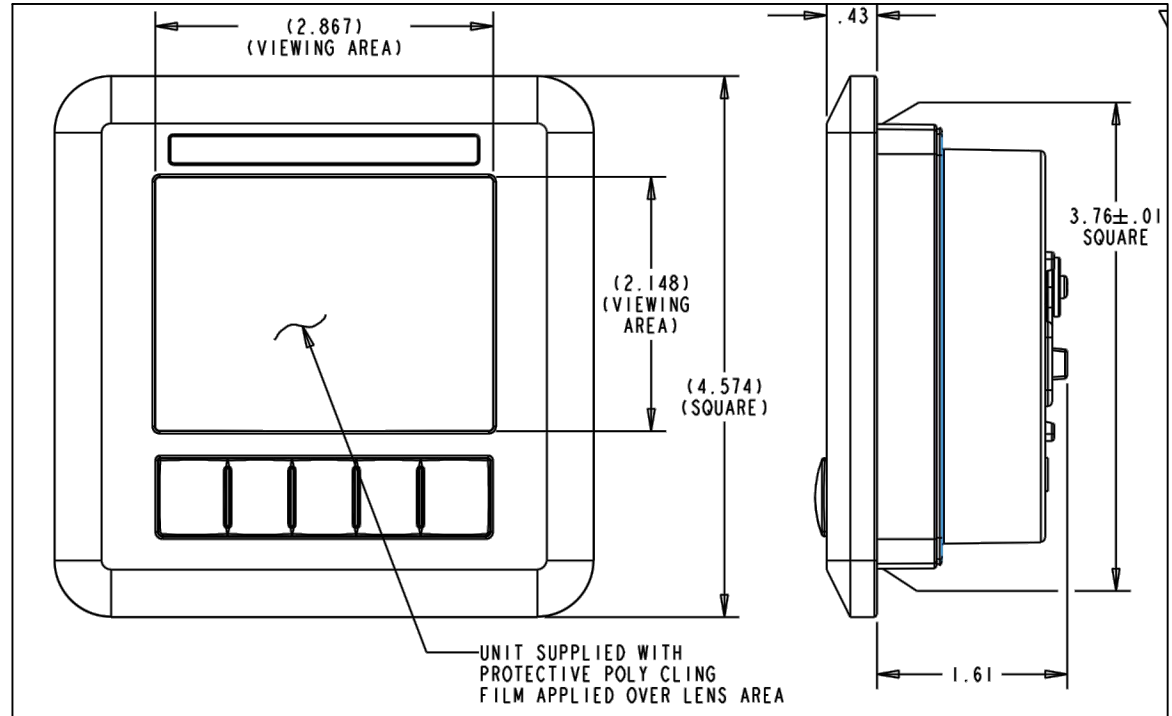
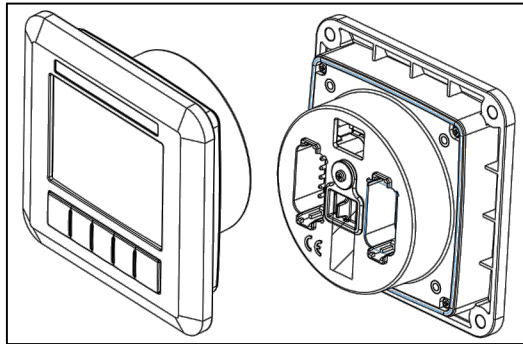
SEAKEEPER 30268 COLOR DISPLAY



SEAKEEPER 30269 SUN COVER



MOUNTING KIT



	NAME	DATE	44425 PECAN COURT, SUITE 151 CALIFORNIA, MARYLAND 20619, USA PH: (410) 326-1590 FAX: (410) 326-1199
DRAWN	S. GOSS	16FEB15	
CHECKED	T. VAN WERT	26FEB15	TITLE
ENG APPR.			<b>COLOR OPERATOR DISPLAY ENVELOPE &amp; MOUNTING DETAILS</b>
COMMENTS:			SIZE C    DWG NO. 90337    REV 1
			SCALE 1:1    WEIGHT .25 LBS (.1 KG)    SHEET 1 OF 2

8

7

6

5

4

3

2

1

F

F

E

E

D

D

C

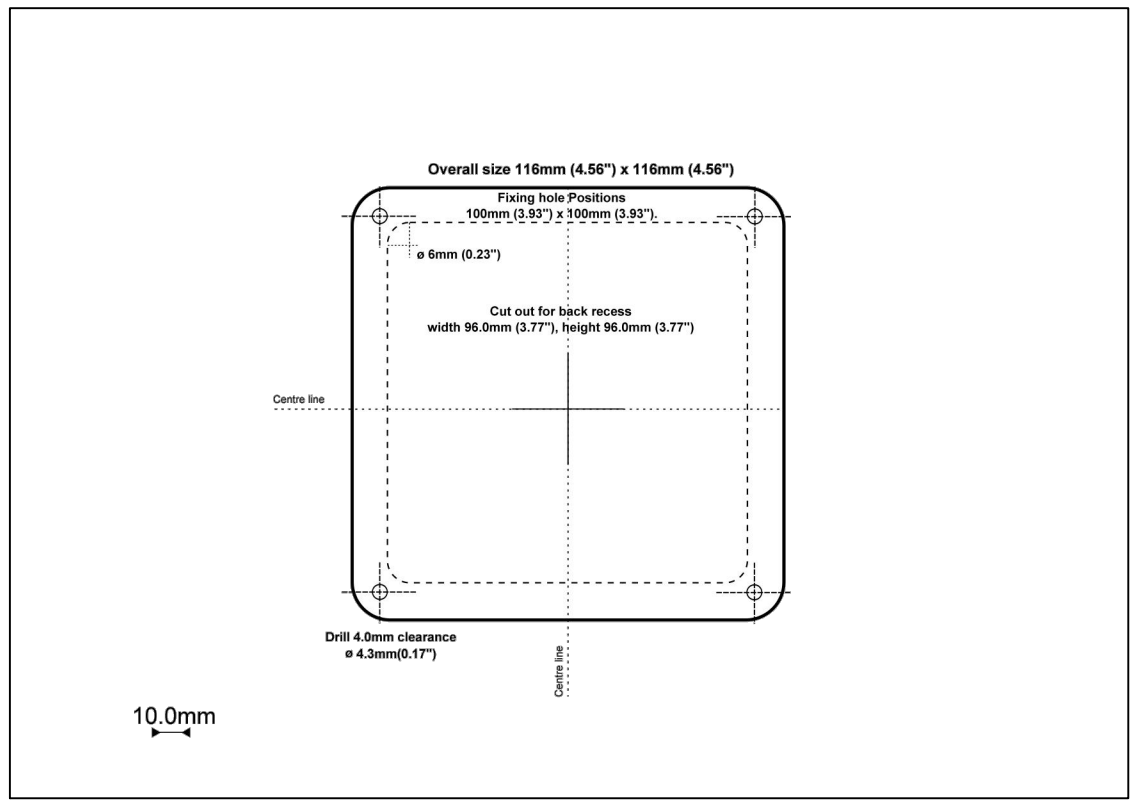
C

B

B

A

A



TEMPLATE FOR PANEL CUTOUT AND MOUNTING HOLES

(If used as transfer template, this sheet or detail must be printed so the 10.0mm legend is exactly 10.0mm as measured.)

SIZE C	DWG NO. 90337	REV 1
SCALE 1:1	WEIGHT .25 LBS (.1 KG)	SHEET 2

8

7

6

5

4

3

2

1