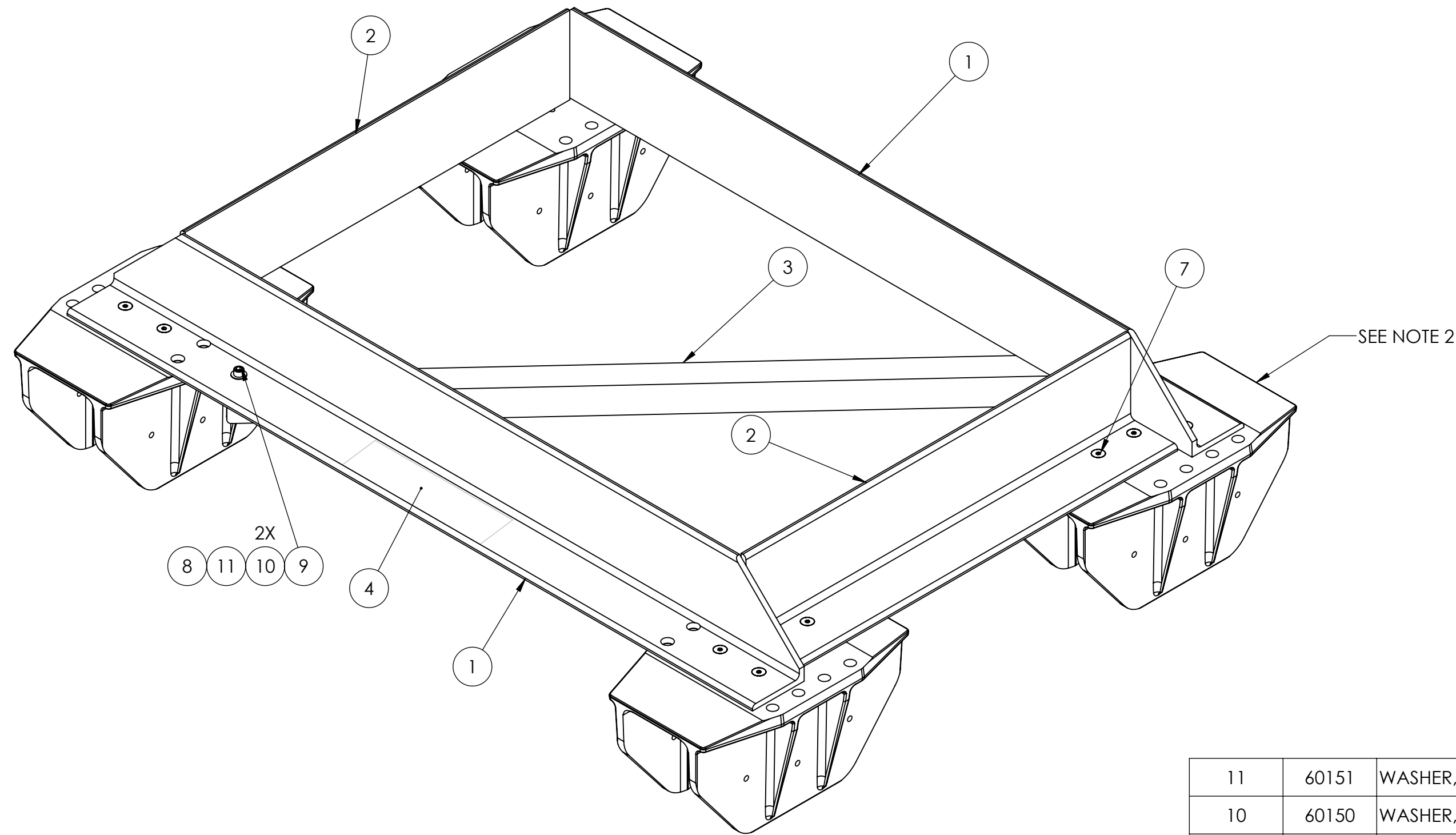


NOTES:

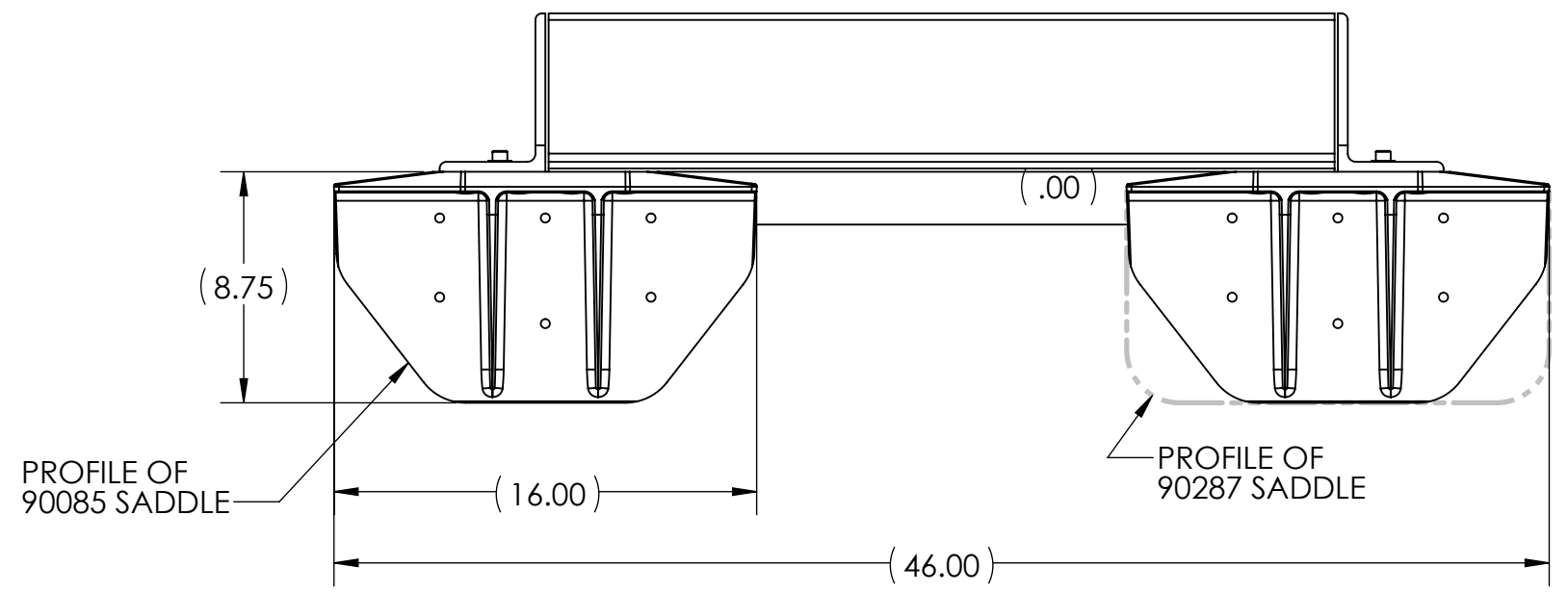
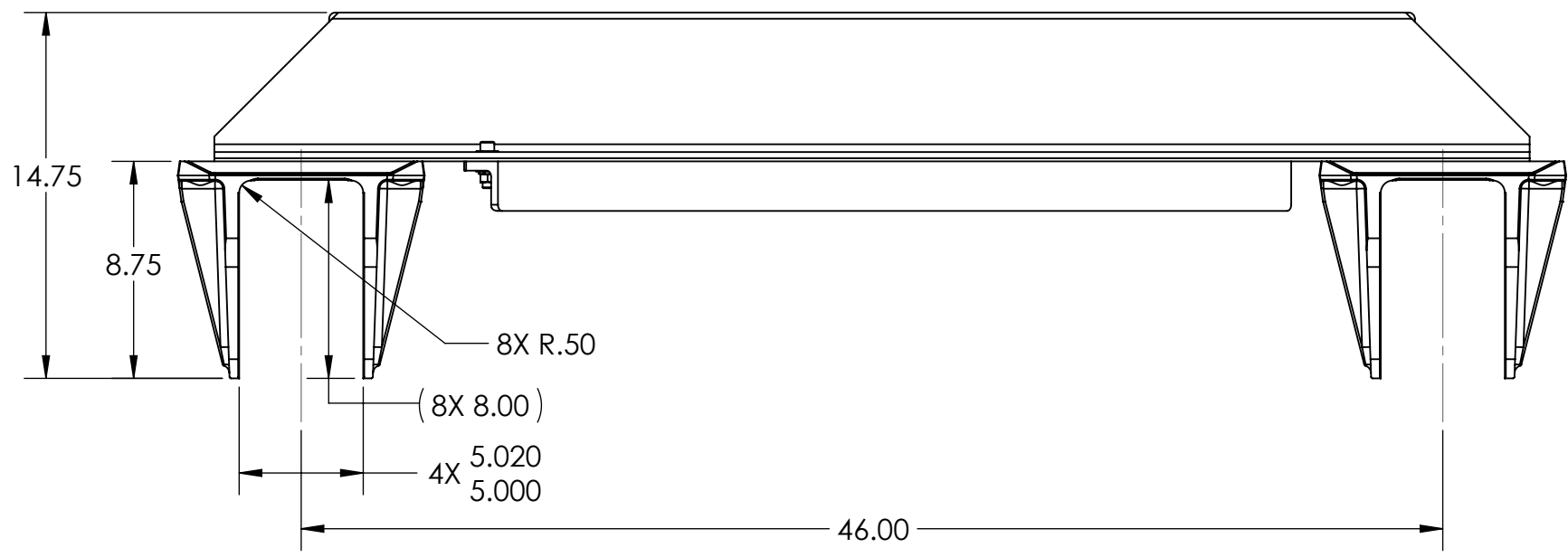
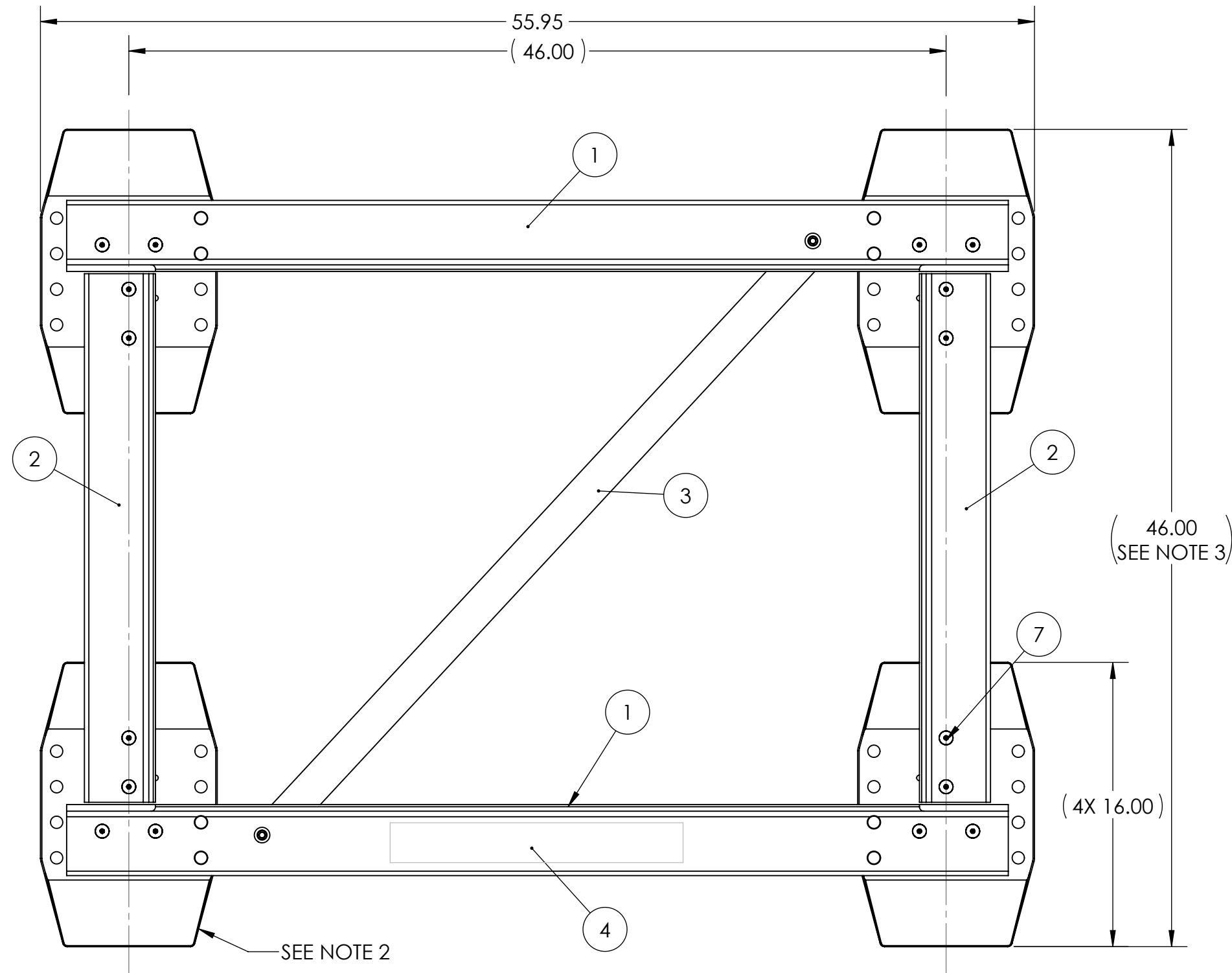
- 1) THE FIXTURE MUST BE USED TO CHECK FIT AND SPACING OF SADDLES RELATIVE TO HULL STRUCTURE AS WELL AS LOCATE SADDLES ACCURATELY DURING THE BONDING PROCESS.
- 2) SADDLE IS COMPLETELY SYMMETRICAL AND CAN BE USED IN ANY OF THE FOUR LOCATIONS.
- 3) THE GYRO'S FOUNDATION EXTENDS BEYOND THE PLAN DIMENSIONS OF THIS FIXTURE. IT IS IMPORTANT THAT THE BUILDER / DESIGNER/ INSTALLER REVIEWS THE INSTALLATION MANUAL AND INSTALLATION DRAWING FOR THE GYRO MODEL BEING INSTALLED. THE DRAWING SHOWS RELATIONSHIPS BETWEEN SADDLE DIMENSIONS AND OVERALL FOUNDATION DIMENSIONS.

REVISIONS					
REV.	ECN NO.	ZONE	DESCRIPTION	DATE	APPROVED
2	ECN0032		1. ADDED ITEM 12 TO BOM.	04NOV10	BHS BRD
3			1. ADDED APPLICABILITY TABLE TO BOTTOM, CENTER OF DRAWING. 2. REMOVED "M21000" WORDING FROM TITLE.	17MAY11	BHS BRD
4	ECN0096		1. UPDATED APPLICABILITY TABLE TO INCLUDE M26. 2. SORTED BOM BY PART NUMBER. 3. UPDATED NOTE 3.	05JUN12	BHS BRD
5			1. REMOVED APPLICABILITY TABLE. 2. UPDATED NOTES 2 & 3.	07AUG14	BRD



11	60151	WASHER, SPLIT LOC 0.38	2	
10	60150	WASHER, GENERAL PURPOSE FLAT 0.38	4	
9	60126	SCREW, SOCKET HD CAP .38-16 X 1.5 FULL TD	2	
8	60125	NUT, FULL HEX .38-16	2	
7	60122	SCREW, SOCKET HD FLAT .38-16 X 0.75 FULL TD	16	
6	40192	HEX KEY WRENCH, 7/32	1	
5	40191	HEX KEY WRENCH, 5/16	1	
4	40158	CAUTION LABEL	1	
3	10515	INSTALLATION JIG ANGLE - DIAG	1	
2	10514	INSTALLATION FIXTURE ANGLE - SHORT	2	
1	10513	INSTALLATION FIXTURE ANGLE- LONG	2	
ITEM NO.	PART NO.	DESCRIPTION	QTY	NOTE

WEIGHT - LBS: 146.13		PROPRIETARY AND CONFIDENTIAL THE INFORMATION CONTAINED IN THIS DRAWING IS THE SOLE PROPERTY OF SEAKEEPER INCORPORATED. ANY REPRODUCTION IN PART OR AS A WHOLE WITHOUT THE WRITTEN PERMISSION OF SEAKEEPER IS PROHIBITED.		SEAKEEPER Seakeeper Inc. 44425 Pecan Court, Suite 151 California, MD 20619	
MATERIAL:		DATE: 07APR10	NAME: GYRO BOND-IN INSTALLATION FIXTURE KIT		
DRAWN: BHS		DATE: 08APR10	DWG NUMBER: 90088		
ENG APPR: BRD		DATE:	REV. NO. SHEET NO. 5 1 OF 2		
PROD APPR:		DATE:			



WEIGHT - LBS: 146.13
 MATERIAL:

PROPRIETARY AND CONFIDENTIAL
 THE INFORMATION CONTAINED IN THIS DRAWING IS THE SOLE PROPERTY OF SEAKEEPER INCORPORATED. ANY REPRODUCTION IN PART OR AS A WHOLE WITHOUT THE WRITTEN PERMISSION OF SEAKEEPER IS PROHIBITED.
 DRAWN: BHS DATE: 07APR10
 ENG APPR: BRD DATE: 08APR10
 PROD APPR: DATE:

SEAKEEPER
 Seakeeper Inc. 44425 Pecan Court, Suite 151 California, MD 20619
 NAME: GYRO BOND-IN INSTALLATION FIXTURE KIT
 DWG NUMBER: 90088
 REV. NO. SHEET NO.: 5 2 OF 2