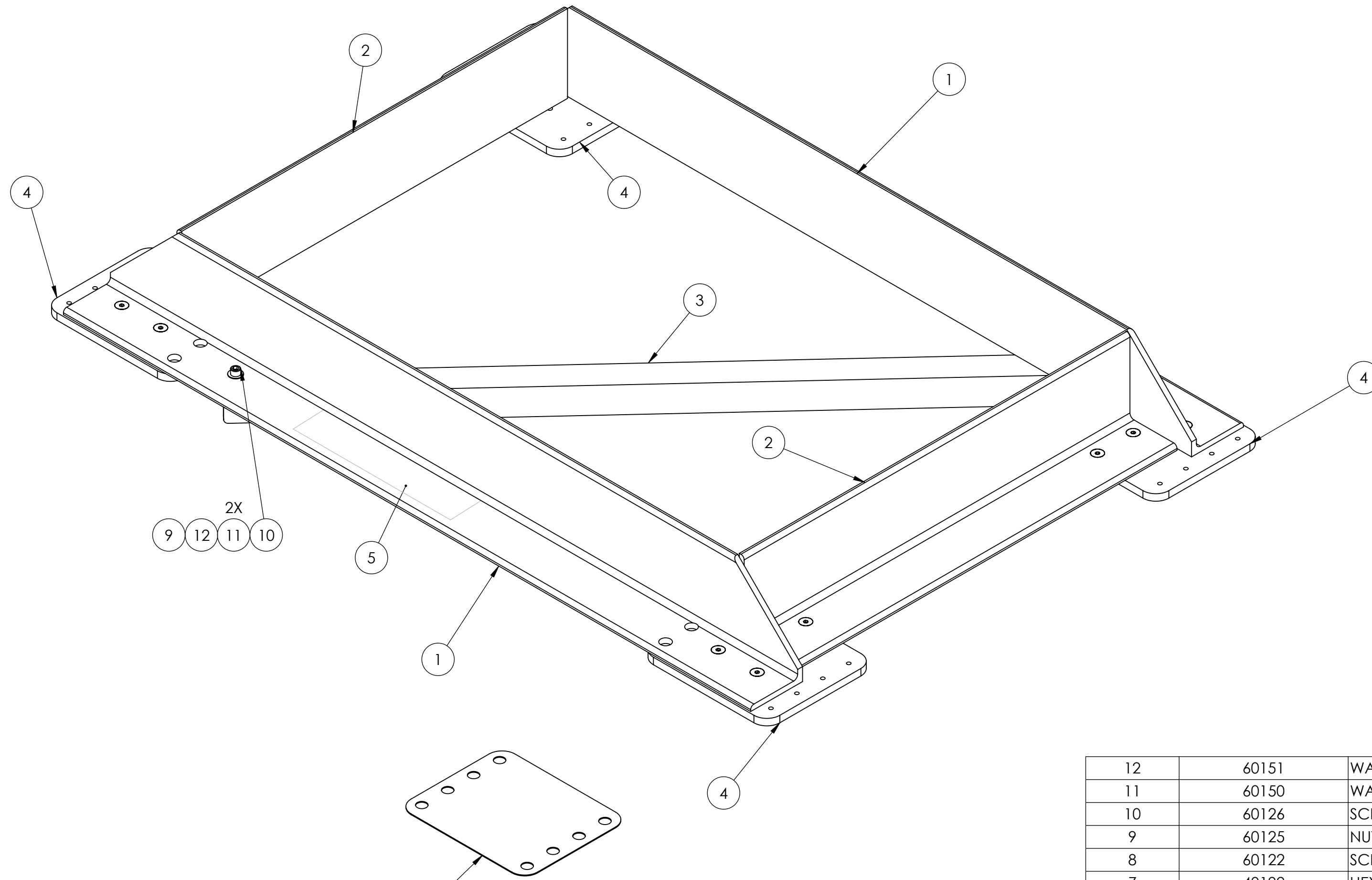


NOTES:

- 1) THE FIXTURE SHALL BE USED TO TRANSFER HOLE CENTERS FOR DRILLING MOUNTING BOLT HOLES.
- 2) P/N 10535 IS COMPLETELY SYMMETRICAL AND CAN BE USED IN ANY OF THE FOUR LOCATIONS.
- 3) THE GYRO'S FOUNDATION EXTENDS BEYOND THE PLAN DIMENSIONS OF THIS FIXTURE. IT IS IMPORTANT THAT THE BUILDER / DESIGNER/ INSTALLER REVIEWS THE INSTALLATION MANUAL AND INSTALLATION DRAWING FOR THE MODEL BEING INSTALLED. THIS DRAWING SHOWS RELATIONSHIPS BETWEEN MOUNTING HOLES AND OVERALL FOUNDATION DIMENSIONS.
- 4) QTY 4 ISOLATION GASKETS ARE PROVIDED IN KIT #90086 FOR FINAL INSTALLATION OF GYRO ONTO STEEL OR ALUMINUM SHIP'S STRUCTURE FOR INCREASED CORROSION PROTECTION.

REVISIONS					
REV.	ECN NO.	ZONE	DESCRIPTION	DATE	APPROVED
2	ECN0032		1. ADDED ITEM 13 TO BOM.	04NOV10	BHS BRD
3		A-4	1. ADDED APPLICABILITY TABLE TO BOTTOM, CENTER OF DRAWING. 2. REMOVED "M21000" WORDING FROM TITLE.	17MAY11	BHS BRD
4	ECN0096		1. UPDATED APPLICABILITY TABLE. 2. SORTED BOM BY PART NUMBER. 3. UPDATED NOTE 3.	05JUN12	BHS BRD
5			1. REMOVED APPLICABILITY TABLE. 2. SORTED BOM BY PART NUMBER. 3. UPDATED NOTE 3.	01AUG14	BRD



12	60151	WASHER, SPLIT LOC 0.38	2	
11	60150	WASHER, GENERAL PURPOSE FLAT 0.38	4	
10	60126	SCREW, SOCKET HD CAP .38-16 X 1.5 FULL TD	2	
9	60125	NUT, FULL HEX .38-16	2	
8	60122	SCREW, SOCKET HD FLAT .38-16 X 0.75 FULL TD	16	
7	40192	HEX KEY WRENCH, 7/32	1	
6	40191	HEX KEY WRENCH, 5/16	1	
5	40158	CAUTION LABEL	1	
4	10535	SEAKEEPER 35-26 GYRO INSTALLATION FIXTURE PLATE	4	
3	10515	INSTALLATION JIG ANGLE - DIAG	1	
2	10514	INSTALLATION FIXTURE ANGLE - SHORT	2	
1	10513	INSTALLATION FIXTURE ANGLE- LONG	2	
ITEM NO.	PART NO.	DESCRIPTION	Qty	NOTE

PROPRIETARY AND CONFIDENTIAL

THE INFORMATION CONTAINED IN THIS DRAWING IS THE SOLE PROPERTY OF SEAKEEPER INCORPORATED. ANY REPRODUCTION IN PART OR AS A WHOLE WITHOUT THE WRITTEN PERMISSION OF SEAKEEPER IS PROHIBITED.

SEAKEEPER
Seakeeper Inc. 44425 Pecan Court, Suite 151 California, MD 20619

NAME: **GYRO BOLT-IN INSTALLATION FIXTURE KIT**

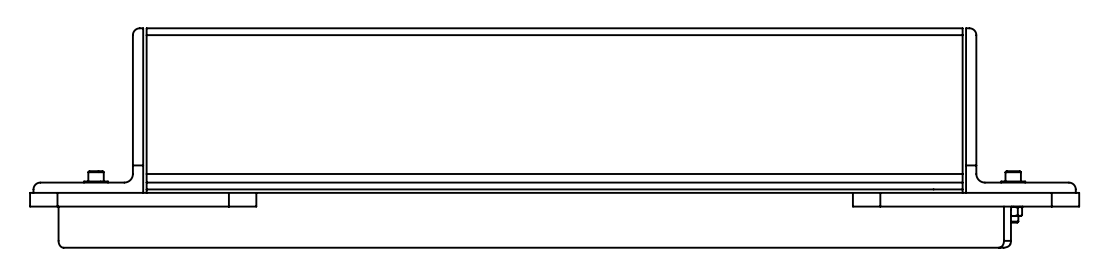
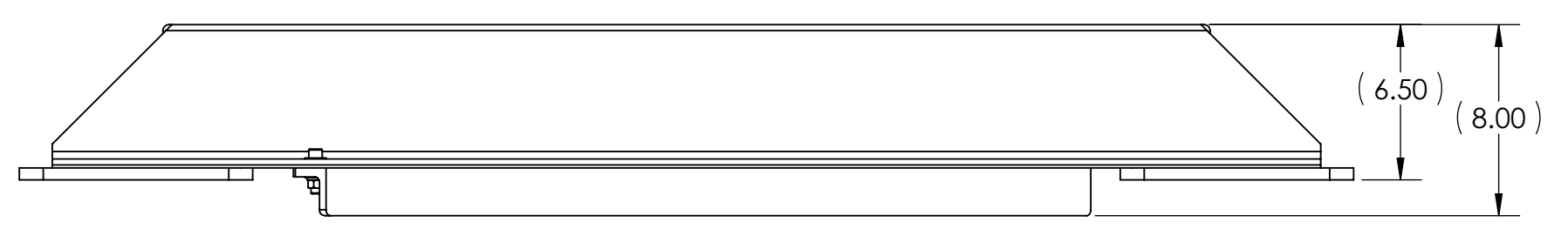
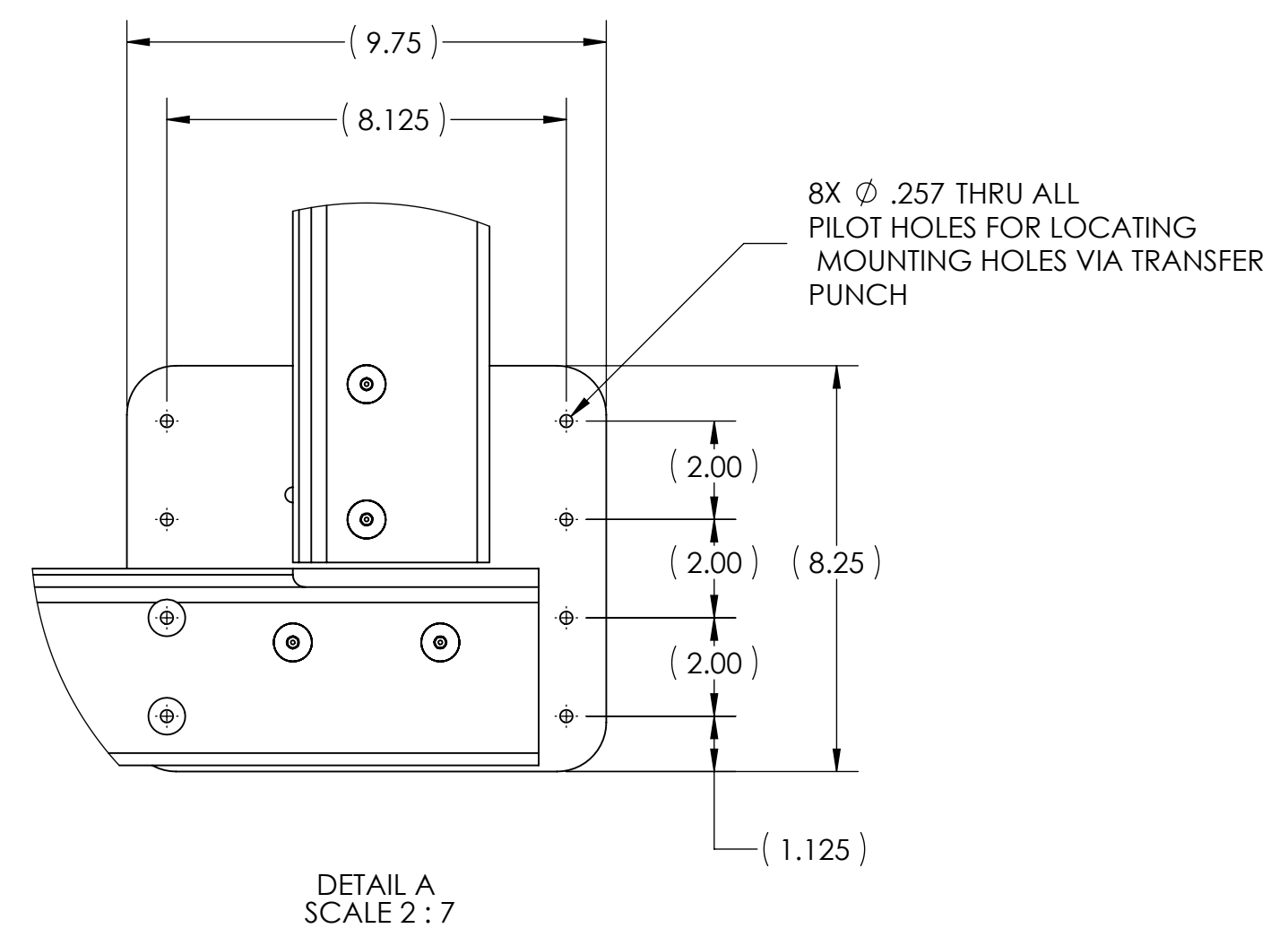
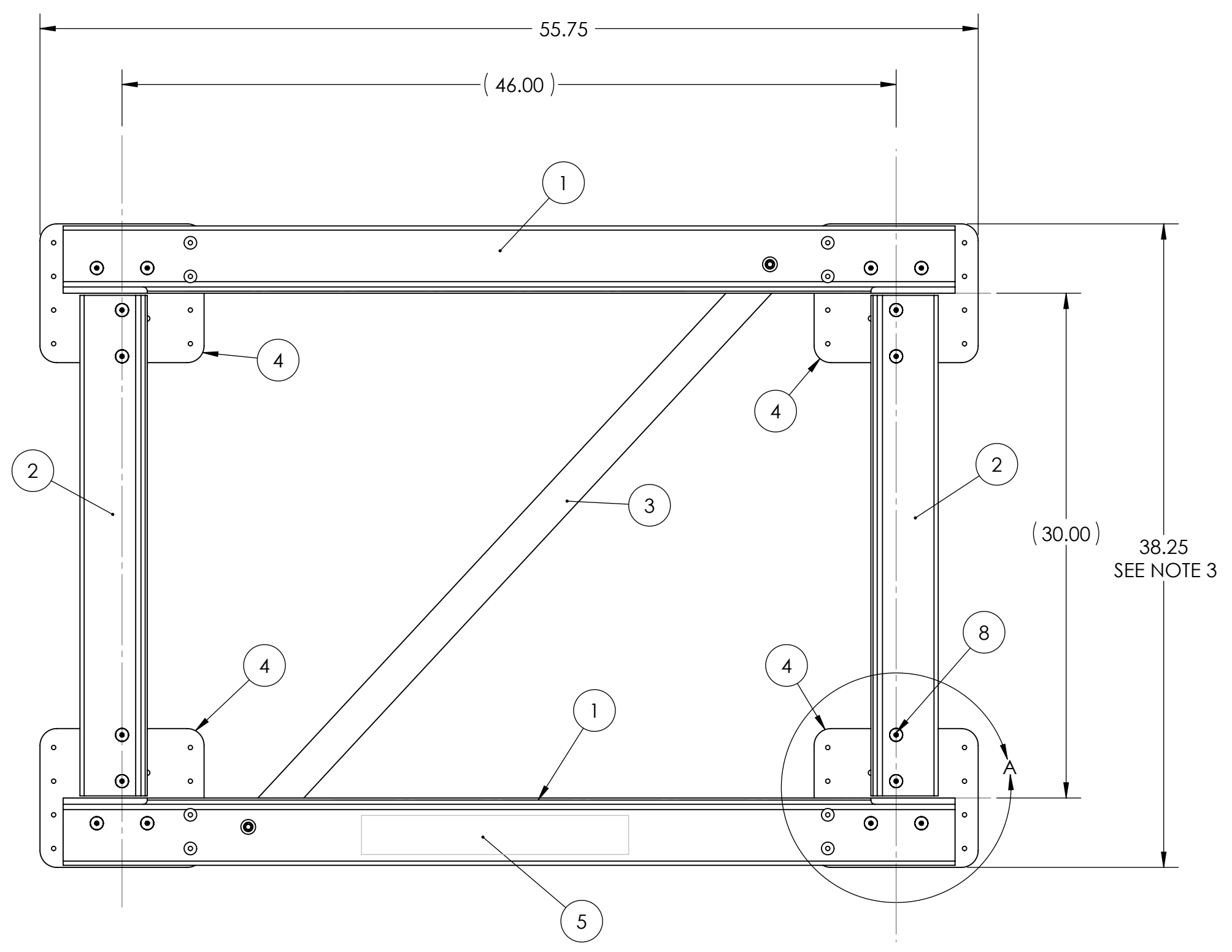
WEIGHT - LBS: **68.13**

MATERIAL:

DRAWN: BHS DATE: 07APR10
 ENG APPR: BRD DATE: 20APR10
 PROD APPR: DATE:

DWG NUMBER: **90089**

REV. NO. SHEET NO.: **5** 1 OF 2



WEIGHT - LBS: 68.13
 MATERIAL:

PROPRIETARY AND CONFIDENTIAL
 THE INFORMATION CONTAINED IN THIS DRAWING IS THE SOLE PROPERTY OF SEAKEEPER INCORPORATED. ANY REPRODUCTION IN PART OR AS A WHOLE WITHOUT THE WRITTEN PERMISSION OF SEAKEEPER IS PROHIBITED.
 DRAWN: BHS DATE: 07APR10
 ENG APPR: BRD DATE: 20APR10
 PROD APPR: DATE:

SEAKEEPER
 Seakeeper Inc. 44425 Pecan Court, Suite 151 California, MD 20619
 NAME: GYRO BOLT-IN INSTALLATION FIXTURE KIT
 DWG NUMBER: 90089
 REV. NO. SHEET NO.: 5 2 OF 2