

NOTES:

1. SEAKEEPER 30268, OPERATOR DISPLAY.

2. SPECIFICATIONS

Power Required: (from Controller)  
 Ambient Air Temperature: -20 to 70 degC  
 Cooling: None required within ambient temperature range  
 Weight: .25 lbs (.1 Kg)  
 Ingress Protection: IP67 Overall and IP66 Front  
 Cable: 0.5m Length, P/N 20223

3. SURFACE MOUNTING INSTRUCTIONS

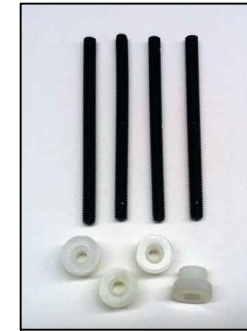
Console space required: Approx. 4.6 W x 4.6 H inches (117 x 117 mm)  
 Mounting Instructions: Surface mount to vessel console panel, 3.77 inch (96mm) square cutout with 0.23 inch (6mm) radius corners.  
 Use template provided in Installation Manual.  
 Includes threaded mounting kit.  
 Maximum panel thickness: 0.750 inches (19 mm)  
 Minimum panel thickness: .120 inches (3 mm)  
 Refer to display drawing dimensions and mounting template before installing.  
**VERIFY ALL DIMENSIONS BEFORE MOUNTING OR CUTTING ANY HOLES.**



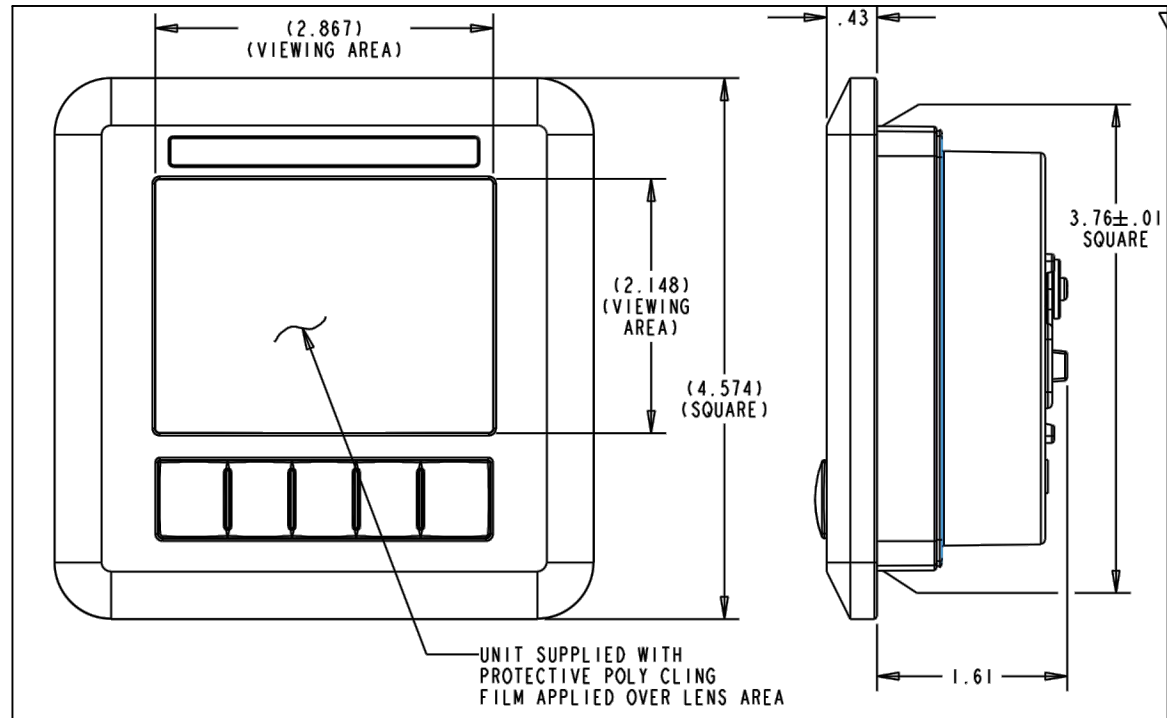
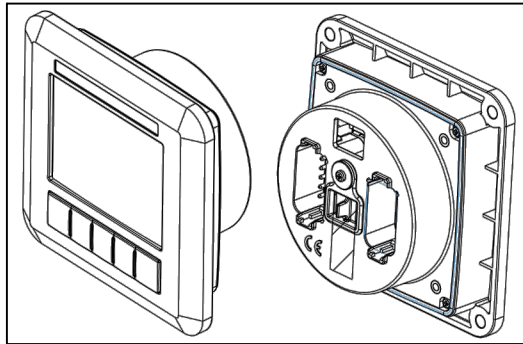
SEAKEEPER 30268 COLOR DISPLAY



SEAKEEPER 30269 SUN COVER



MOUNTING KIT



|           |         |             |         |   |
|-----------|---------|-------------|---------|---|
| DRAWN     |         | S. GOSS     | 16FEB15 | P.O. BOX 809<br>CALIFORNIA, MARYLAND 20619, USA<br>PH: (410) 326-1590 FAX: (410) 326-1199 |
| CHECKED   |         | T. VAN WERT | 26FEB15 |   |
| ENG APPR. |         |             |         |   |
| COMMENTS: |         |             |         |   |
| TITLE     |         |             |         | COLOR OPERATOR DISPLAY<br>ENVELOPE & MOUNTING DETAILS                                     |
| SIZE      | DWG NO. |             | REV     |   |
| C         | 90337   |             | 1       |   |
| SCALE     |         | 1:1         | WEIGHT  | .25 LBS (.1 KG)   |
|           |         |             | SHEET   | 1 OF 2  |

8

7

6

5

4

3

2

1

F

F

E

E

D

D

C

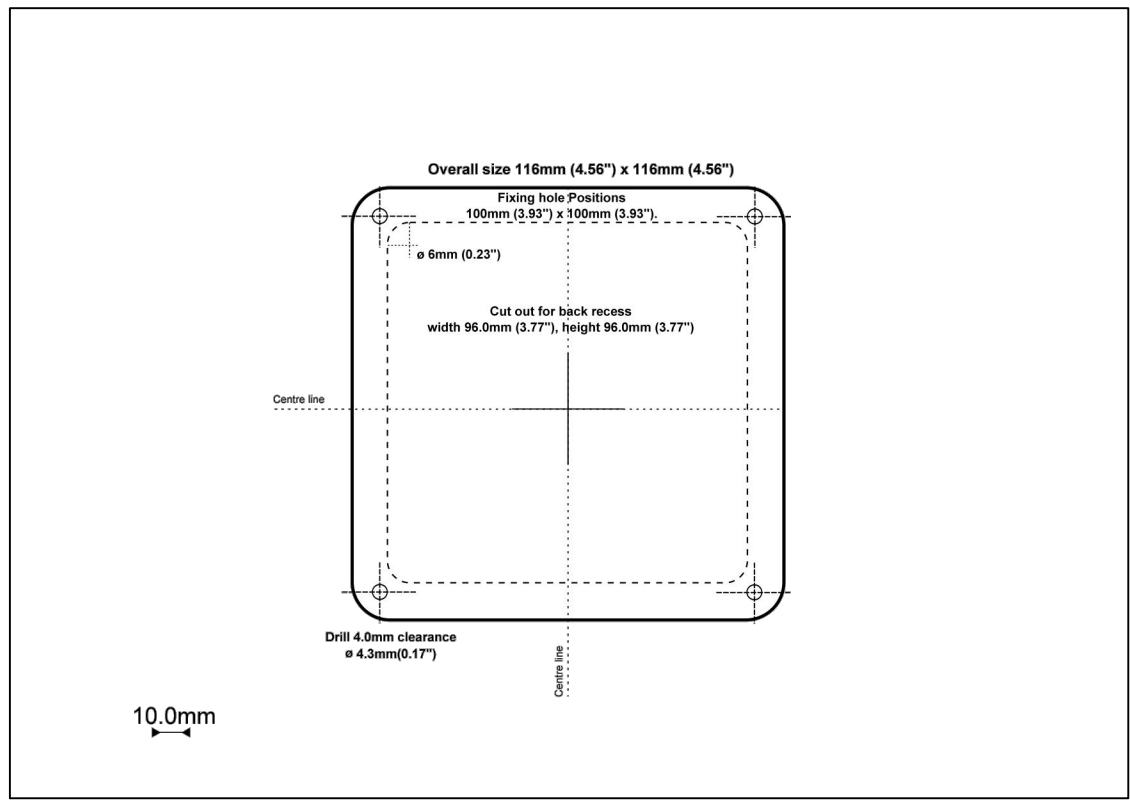
C

B

B

A

A



TEMPLATE FOR PANEL CUTOUT AND MOUNTING HOLES

(If used as transfer template, this sheet or detail must be printed so the 10.0mm legend is exactly 10.0mm as measured.)

|           |                        |          |
|-----------|------------------------|----------|
| SIZE<br>C | DWG NO.<br>90337       | REV<br>1 |
| SCALE 1:1 | WEIGHT .25 LBS (.1 KG) | SHEET 2  |

8

7

6

5

4

3

2

1