

Description: UPDATED CIRCUIT BREAKER REQUIREMENT

The *SEAKEEPER 35* gyro operates during spool-up at 5 KW and requires a 30 Amp circuit breaker on the input 230 VAC mains to support this power level. The 30 Amp circuit breaker was not specified in the early versions of the Installation Manual 90268-2, Operation Manual 90269-2, and Drawing Manual 90270-2. However, it is correctly specified in Installation Manual 90268-3, Operation Manual 90269-3, and Drawing Manual 90270-3.

Below are the correct instructions from section 2.2, Electrical Equipment Power Connections of Installation Manual 90268-3.

1. 230 VAC POWER SOURCE REQUIREMENTS

- a. 230 VAC (nominal), 1 Phase, 50/60 Hz, 30 Amps.
- b. A separate circuit breaker should be used for each Drive Box.

2. DRIVE BOX AC POWER INPUT CONNECTION INSTRUCTIONS

- a. Cable: 3 x 10AWG (3 x 6mm² CSA), 10' (3m) length, Seakeeper supplied pre-installed.
 - i. Locate CABLE 2 for AC power input to the Drive Box at the outward of three cable glands.

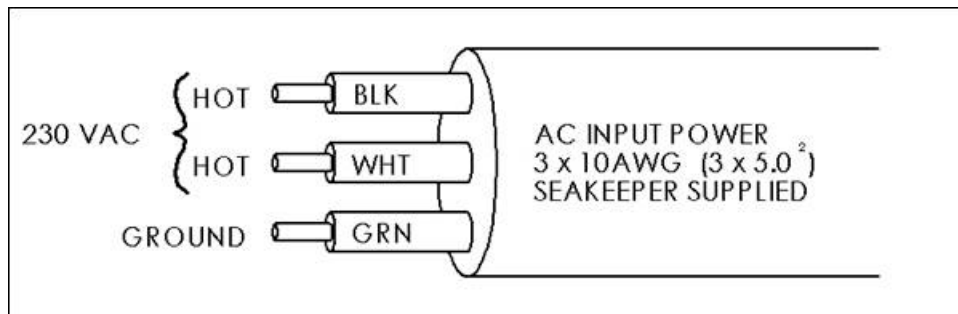


FIGURE 3 – CABLE 2 WIRE CONNECTIONS AT AC POWER DISTRIBUTION PANEL

- ii. Connect 230 VAC wires in CABLE 2 to a 30 Amp, double-pole Circuit Breaker at an AC power distribution panel according to Figure 3 above.

REVISION HISTORY

REVISION	DESCRIPTION OF CHANGES	DATE	APPROVED
1	INITIAL RELEASE	07APR2015	Kevin Zervas

SEAKEEPER, INC.

44425 PECAN COURT, SUITE 151, CALIFORNIA, MARYLAND, 20619, U.S.A

PHONE: 410-326-1590

FAX: 410-326-1199

E-MAIL: customerservice@seakeeper.com