

The Seakeeper 6 packs a punch. Designed to eliminate up to 95% of boat roll on boats up to ~20 tons, vessels ~40 - 49', the Seakeeper 6 provides tons of stabilizing power in a compact, energy efficient package. This new model also includes an updated electronics suite, including an all new touch screen display with NMEA and Ethernet capabilities.

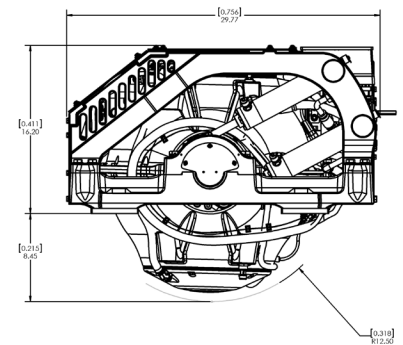


TECH SPECS

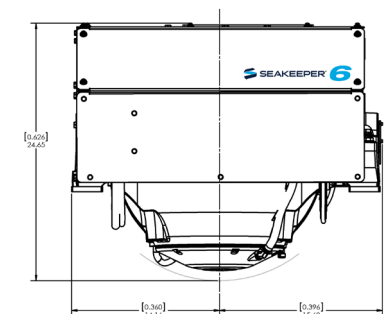
Rated Speed	9,700 RPM
Angular Momentum at Rated RPM	6,000 N-M-S
Anti-Rolling Torque at Rated RPM	15,690 N-M
Spool-up Time to Rated RPM	40 minutes (9,700 RPM)
Spool-up Time to Stabilization	24 minutes (7,700 RPM)
Spool-up Power	
AC Motor	2300 Watts
DC Control	125 Watts
Operating Power	
AC Motor (sea state dependent)	1050 - 2300 Watts
DC Control	125 Watts
AC Input Voltage	110 - 230 VAC (+/- 10%), 50/60 Hz, Single Phase
DC Input Voltage	12 VDC @ 15 Amps
Sea Water Supply to Heat Exchanger	30 LPM (8 GPM) maximum 15 LPM (4 GPM) minimum
Ambient Air Temperature	0° - 60° C (32° - 140° F)
Weight	395 kg (870 lbs)
Envelope Dimensions	Length x Width x Height 0.756 L x 0.755 W x 0.626 H (meters) 29.77 L x 29.71 W x 24.65 H (inches)
Noise Output	At full operating RPM, steady state noise measured in the factory at a 1 meter distance measures 70 - 72 dBC. (Sound levels may be higher during spool-up)

* Preliminary - Subject to Change

PORT VIEW



FRONT VIEW



TOP VIEW

