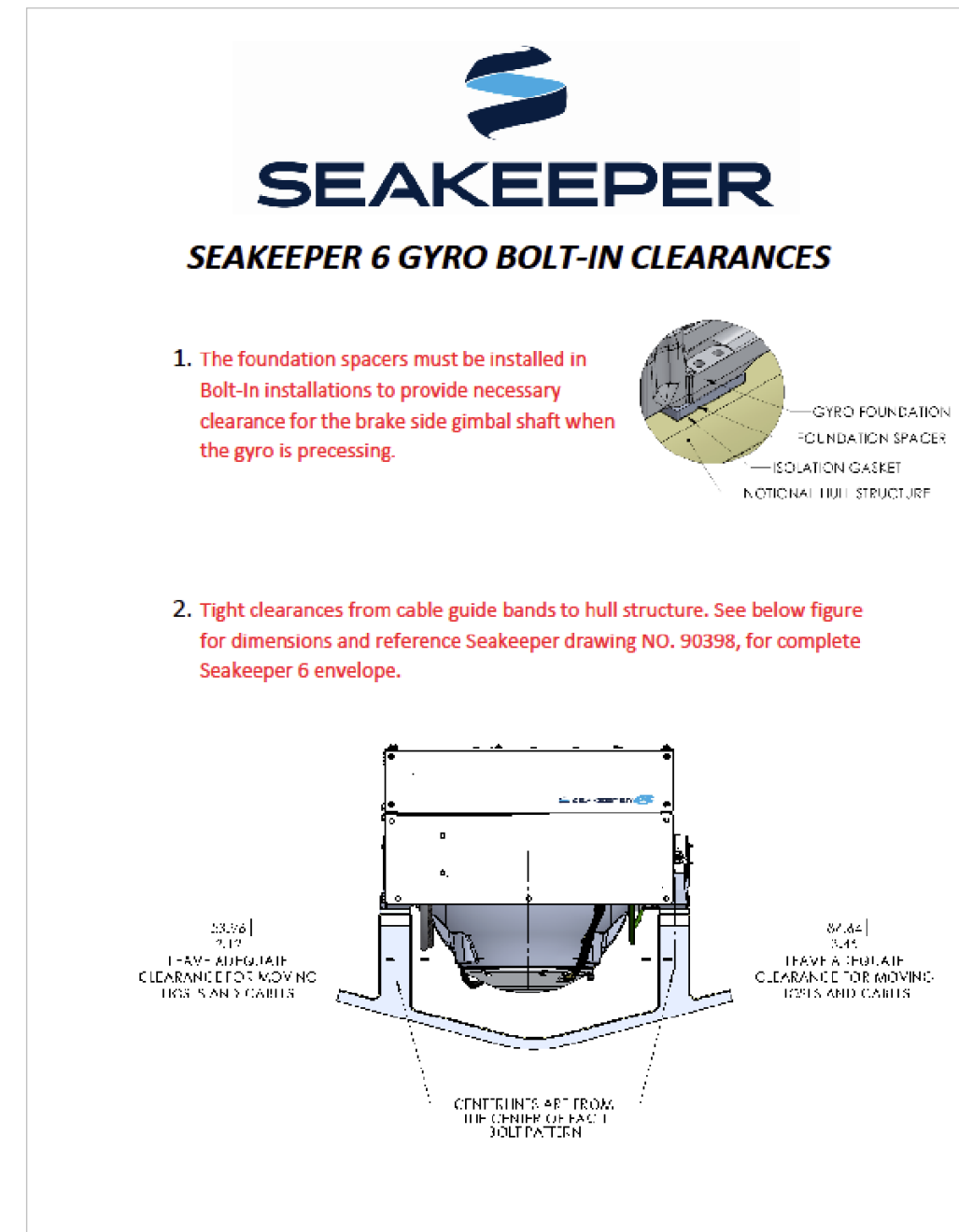
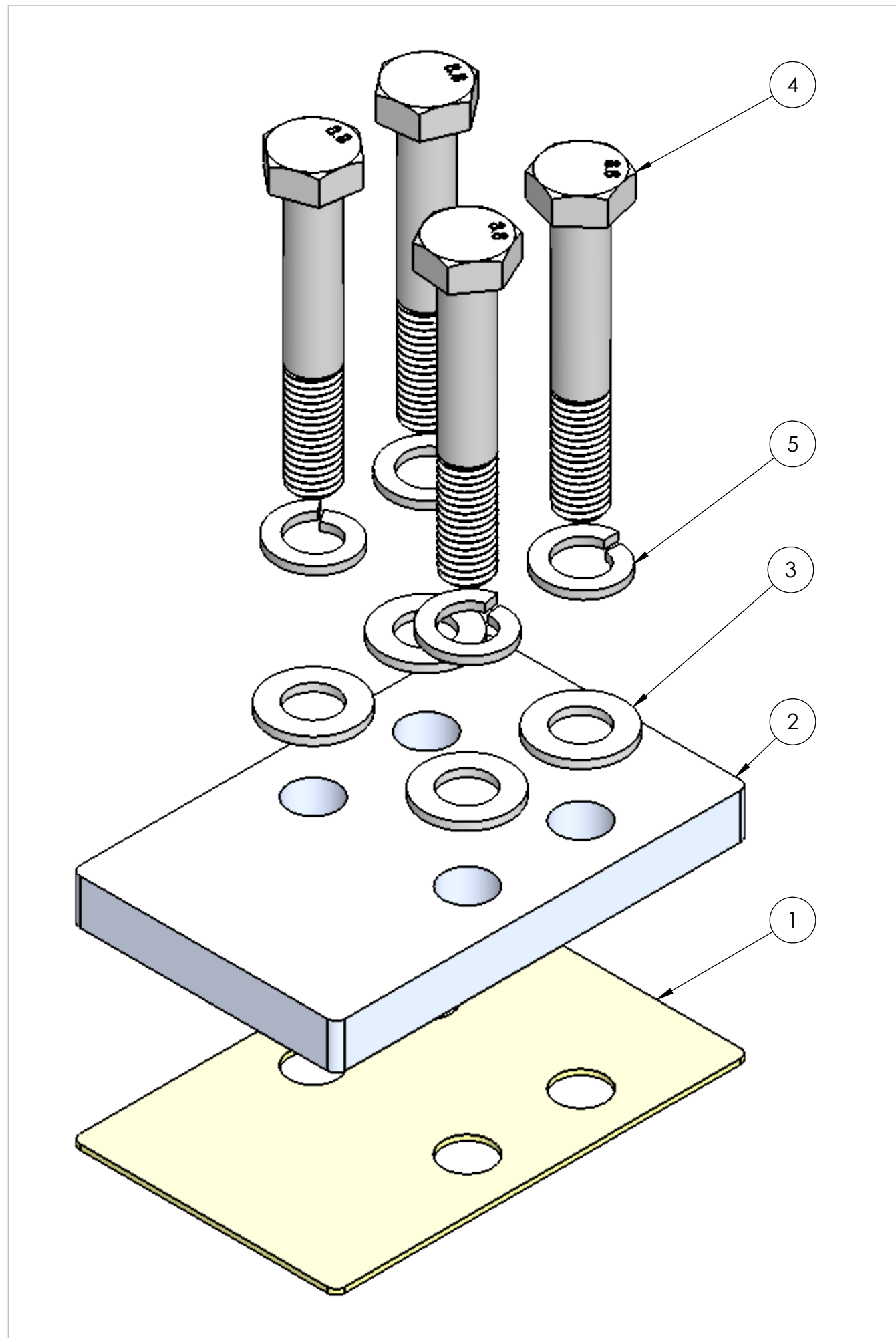


**NOTES:**

- 1) ITEM 1, P/N 11145 CAN BE USED IN ANY OF THE FOUR LOCATIONS. THIS PART IS A HARD GASKET THAT IS TO BE INSTALLED BETWEEN THE GYROS' 4 FOUNDATION MOUNTS AND THE SHIP'S STRUCTURE TO MINIMIZE POTENTIAL CORROSION.
- 2) ITEM 2, P/N 60350 , HEX HD CAP SCREW IS PROVIDED AT 75MM LENGTH , 17MM MINIMUM THREAD LENGTH. BUILDER / INSTALLER IS RESPONSIBLE FOR SUPPLYING ALTERNATE LENGTHS WITH EQUIVALENT OR SUPERIOR MATERIALS IF NEEDED FOR DESIGNED MOUNTING DETAILS OF THE GYRO'S FOUNDATION IN THE HULL STRUCTURE.

**4X  
KIT INLCUDES 4X THE PARTS SHOWN  
TO BE INTALLAT AT EACH MOUNTING FOOT  
OF THE GYRO**



6	90391	SK6 BOLT-IN CLEARANCES	1
5	60428	WASHER. SPLIT LOC, M12, DIN127B	16
4	60387	SCREW, HEX HD CAP, M12-1.75 X 75MM LG	16
3	60252	WASHER, FLAT M12 DIN125 8.8	16
2	11241	SK5 FOUNDATION SPACER	4
1	11145	SK5 FRAME ISOLATION GASKET	4
ITEM NO.	PART NUMBER	DESCRIPTION	QTY.

<b>PROPRIETARY AND CONFIDENTIAL</b>		<b>SEAKEEPER</b> Seakeeper Inc. 44425 Pecan Court, Suite 151 California, MD 20619	
THE INFORMATION CONTAINED IN THIS DRAWING IS THE SOLE PROPERTY OF SEAKEEPER INCORPORATED. ANY REPRODUCTION IN PART OR AS A WHOLE WITHOUT THE WRITTEN PERMISSION OF SEAKEEPER IS PROHIBITED.			
NAME:	SK6 BOLT-IN KIT		
WEIGHT - LBS:	---	DRAWN:	DATE:
MATERIAL:	---	WJK	1 JUL2016
DWG NUMBER		REV. NO.	SHEET NO.
<b>90400</b>		<b>1</b>	<b>1</b> OF <b>1</b>