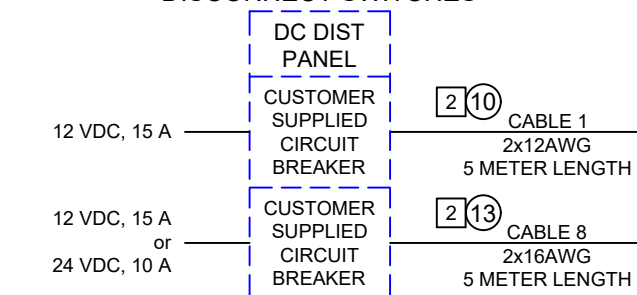


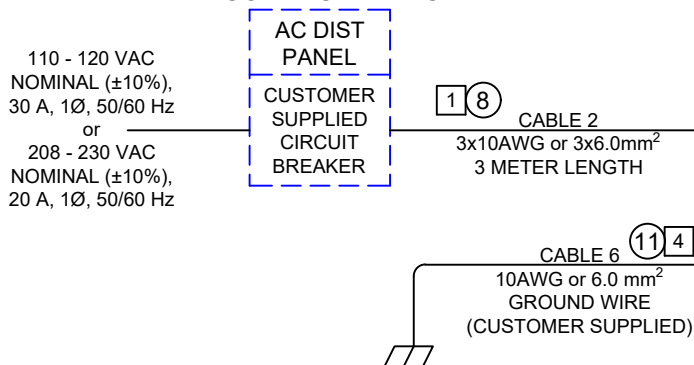
REVISIONS					
REV	ECH NO.	ZONE	DESCRIPTION	DATE	APPROVED
2	N/A	2F, P/L	1. CHANGED ITEM 7, WAS WATERPROOF CAP.	12JUL17	R. LAWRIE
3	612	2A, 5D, P/L	1. ADDED MODEL 5HD.	22MAY18	R. KEOWN
4	765	1A, 5D, P/L	1. CHANGED TO MODEL 5, WAS 5HD.	24JUN19	A. MALAVÉ
5	804	8D	1. CHANGED INPUT AC VOLTAGE AND CURRENT. 2. CHANGED NOTE 4 FOR GROUNDING STANDARDS.	20JAN20	W. GARZON
6	830	P/L	1. CHANGED ITEM 8 P/N TO 20394, WAS 30179. 2. CHANGED ITEM 9 P/N TO 20395, WAS 30239.	08JUL20	W. GARZON

REVISIONS CONT'D ON SH 2

SEAKEEPER DC DISCONNECT SWITCHES



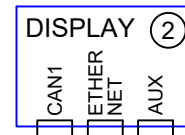
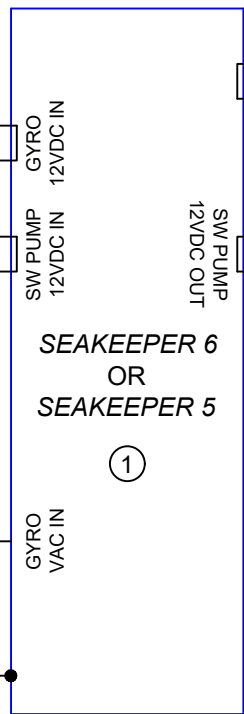
SEAKEEPER AC DISCONNECT SWITCH



NOTES:

- 1 CABLE PROVIDED TO CONNECT THE AC INPUT POWER (ITEM 8) IS SUPPLIED AS LENGTH 3m. THE LOCATION CHOSEN FOR POWER DISTRIBUTION SHOULD TAKE THIS INTO CONSIDERATION.
- 2 CABLES PROVIDED TO CONNECT THE DC INPUT POWER (ITEMS 9 & 10) ARE SUPPLIED AS LENGTH 5m. THE LOCATION CHOSEN FOR POWER DISTRIBUTION SHOULD TAKE THIS INTO CONSIDERATION.
- 3 ETHERNET CONNECTOR ON DISPLAY IS FOR ETHERNET CONNECTION TO SEAKEEPER COMPATIBLE MULTI-FUNCTION DISPLAY. SEE SHEET 2 FOR WIRING DETAILS.
- 4 CONNECT 10 AWG (6mm²) PE CONDUCTOR TO VESSEL GROUNDING BUS TO COMPLY WITH EN/IEC 60204-1:2016 CLAUSES 6.3.3 & 8.2.3 AND WITH ABYC E-11 JULY 2018 CLAUSES 11.5.2 & 11.16.1.

NOTES CONT'D ON SH 2

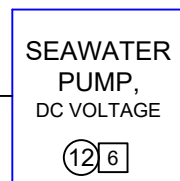


6 CABLE 4
2x22AWG & 2x24AWG, SHIELDED,
0.5 METER LENGTH
(CAN, PLASTIC)



7 CABLE 7
USB EXTENDER,
2 METER LENGTH
(USB, PLASTIC)

3 CABLE 3
2x22AWG & 2x24AWG,
SHIELDED, 25 METER LENGTH
(CAN, PLASTIC)



9 CABLE 5
2x16AWG
5 METER LENGTH

21	20380	ETHERNET ADAPTER CABLE, RAYMARINE	5	1	OPTIONAL
20	20346	ETHERNET ADAPTER CABLE, SIMRAD	5	1	OPTIONAL
19	20373	ETHERNET ADAPTER CABLE, GARMIN	5	1	OPTIONAL
18	30330	CABLE, M12 D-CODE, FEMALE-MALE, 10m		1	OPTIONAL
17	30267	CONTACT, SIZE 16, SOLID, GOLD-PLATED MALE (DEUTSCH 0460-202-1631)	7	2	SHIPYARD
16	30115	WEDGELOCK, 2 PIN (DEUTSCH W2P)	7	1	SHIPYARD
15	30113	CONNECTOR, 2 PIN (DEUTSCH DT04-2P)	7	1	SHIPYARD
14		SEAWATER PUMP ASSY, 24 VDC, 13 AMP MAX		1	SHIPYARD
13	30327	CABLE ASSY, DC PUMP PWR IN, 2x16AWG, 5m		1	SEAKEEPER
12	30331	SEAWATER PUMP ASSY, 24 VDC, 13 AMP MAX.		1	OPTIONAL
11		WIRE, 10 AWG (6.0 mm²)		A/R	SHIPYARD
10	20248	CABLE, MARINE, DC, 2 X 12AWG, 5m		1	SEAKEEPER
9	20334	CABLE ASSY, DC PUMP PWR OUT, 2x16AWG, 5m		1	SEAKEEPER
8	20394	CABLE ASSY, MARINE, 3 x 10AWG, 3m		1	SEAKEEPER
7	30300	CABLE, USB EXTENDER, 2m		1	SEAKEEPER
6	30301	CABLE, CAN, FEMALE-MALE, 0.5m		1	SEAKEEPER
5	30249	TERMINATOR, CAN, 120 OHM, FEMALE		1	SEAKEEPER
4	30244	TEE ADAPTER, CAN, 3-WAY, F-M-F		1	SEAKEEPER
3	30243	CABLE, CAN, FEMALE-MALE, 25m		1	SEAKEEPER
2	30298	DISPLAY, COLOR, IP67, 5", w/ TOUCH		1	SEAKEEPER
1	90556	SEAKEEPER 5 GYRO ASSEMBLY		1	SEAKEEPER
	90389	SEAKEEPER 6 GYRO ASSEMBLY		1	SEAKEEPER
ITEM	SEAKEEPER PART NO.	DESCRIPTION	QTY	SUPPLY	

PROPRIETARY AND CONFIDENTIAL
THE INFORMATION CONTAINED IN THIS DRAWING IS THE SOLE PROPERTY OF SEAKEEPER, INC. ANY REPRODUCTION IN PART OR AS A WHOLE WITHOUT THE WRITTEN PERMISSION OF SEAKEEPER, INC. IS PROHIBITED.



45310 ABELL HOUSE LANE, SUITE 350, CALIFORNIA, MD 20619

SEAKEEPER 6 / 5 CABLE BLOCK DIAGRAM

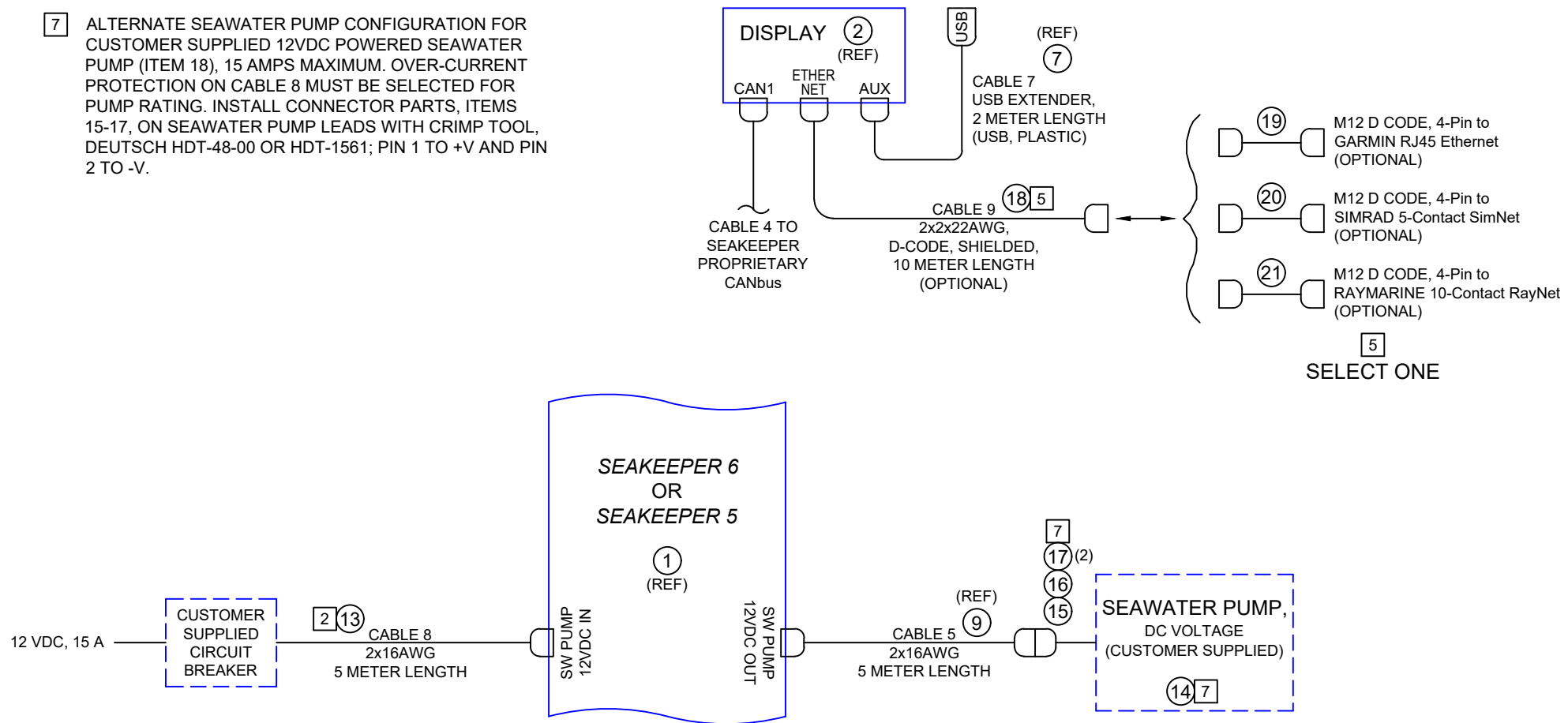
WEIGHT-LBS: N/A	DRAWN: S. GOSS	DATE: 20 OCT 2016
MATERIAL:	ENG APPR: R. LAWRIE	DATE: 20 OCT 2016
	PROD APPR: R. KEOWN	DATE: 20 OCT 2016

DWG NUMBER	REV	SHEET NO.
90396	7	1 OF 2

NOTES:

- 5 FOR SEAKEEPER COMPATIBLE MULTI-FUNCTION DISPLAY (MFD) CONNECTIVITY, ADAPTER CABLE MUST BE SELECTED FOR MFD BRAND FROM ITEMS 19-21. IF ADDITIONAL LENGTH IS NECESSARY USE D-CODE ETHERNET CABLE, ITEM 18.
- 6 DC POWERED SEAWATER PUMP MUST BE PURCHASED FROM SEAKEEPER (ITEM 12) OR CUSTOMER SUPPLIED (ITEM 14, SEE SHEET 2). THE SEAKEEPER 24V DC SEAWATER PUMP, ITEM 12, IS INTENDED FOR 12V OR 24V OPERATION.
- 7 ALTERNATE SEAWATER PUMP CONFIGURATION FOR CUSTOMER SUPPLIED 12VDC POWERED SEAWATER PUMP (ITEM 18), 15 AMPS MAXIMUM. OVER-CURRENT PROTECTION ON CABLE 8 MUST BE SELECTED FOR PUMP RATING. INSTALL CONNECTOR PARTS, ITEMS 15-17, ON SEAWATER PUMP LEADS WITH CRIMP TOOL, DEUTSCH HDT-48-00 OR HDT-1561; PIN 1 TO +V AND PIN 2 TO -V.

REVISIONS					
REV	ECH NO.	ZONE	DESCRIPTION	DATE	APPROVED
7	845	P/L	1. CHANGED ITEM 9 TO DC OUTPUT CABLE ASSY FOR SEAWATER PUMP, WAS 20395.	20 NOV 20	D. FRORIEP
		P/L	2. CHANGED ITEM 12 TO DC SEAWATER PUMP AS OPTIONAL SOURCE, ADDED PART NUMBER, AND ALLOWED 12V OR 24V OPERATION.		
		P/L	3. ADDED ITEM 13 DC INPUT CABLE ASSY FOR SEAWATER PUMP AND ADDED CUSTOMER SUPPLIED CIRCUIT BREAKER.		
		P/L	4. ADDED ITEM 14 ALTERNATE DC SEAWATER PUMP AND ASSOCIATED CONNECTOR PARTS, ITEMS 15-17, ON NEW SHEET 2.		
		P/L	5. ADDED ITEMS 18-21 AND ETHERNET CONNECTION DETAIL ON SHEET 2.		



<p>PROPRIETARY AND CONFIDENTIAL</p> <p>THE INFORMATION CONTAINED IN THIS DRAWING IS THE SOLE PROPERTY OF SEAKEEPER, INC. ANY REPRODUCTION IN PART OR AS A WHOLE WITHOUT THE WRITTEN PERMISSION OF SEAKEEPER, INC. IS PROHIBITED.</p>		<p>45310 ABELL HOUSE LANE, SUITE 350, CALIFORNIA, MD 20619</p>	
<p>WEIGHT-LBS: N/A</p> <p>MATERIAL:</p>	<p>DRAWN: S. GOSS</p> <p>ENG APPR: R. LAWRIE</p> <p>PROD APPR: R. KEOWN</p>	<p>DATE: 20 OCT 2016</p> <p>DATE: 20 OCT 2016</p> <p>DATE: 20 OCT 2016</p>	<p>TITLE: SEAKEEPER 6 / 5 CABLE BLOCK DIAGRAM</p> <p>DWG NUMBER: 90396</p> <p>REV SHEET NO: 7 2 OF 2</p>