

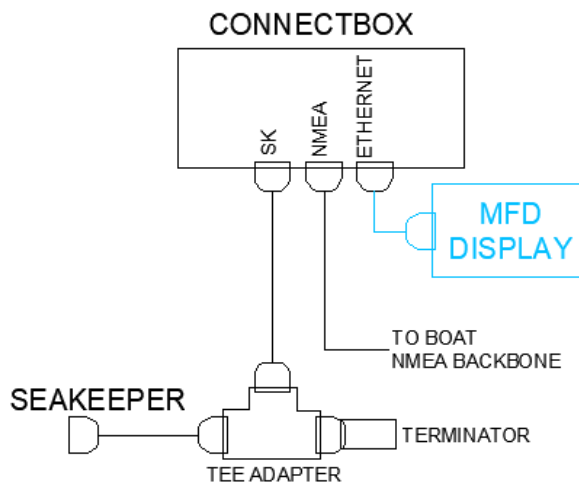
DESCRIPTION

The Seakeeper 1 comes standard with a ConnectBox controller that is compatible with various digital display options. This technical bulletin outlines the display options and connection requirements for the Seakeeper 1 ConnectBox.

1. All Seakeeper 1 units will require one of the following display options:
 - a. An ethernet connection to a Seakeeper compatible MFD (Seakeeper integrated devices and ethernet cable part numbers are listed below), or
 - b. A Seakeeper 5" Touch Display.
2. All Seakeeper 1 units require an NMEA cable connecting from the NMEA port of the ConnectBox to the boat's NMEA backbone.
 - a. The ConnectBox can be remote mounted from the Seakeeper 1 with the SK1 ConnectBox Helm Mounting Kit (P/N: 90558)
3. All standard equipment included with the Seakeeper 1 is outlined below in **black**; optional display accessories are shown in **blue**.

DISPLAY SET-UP OPTIONS

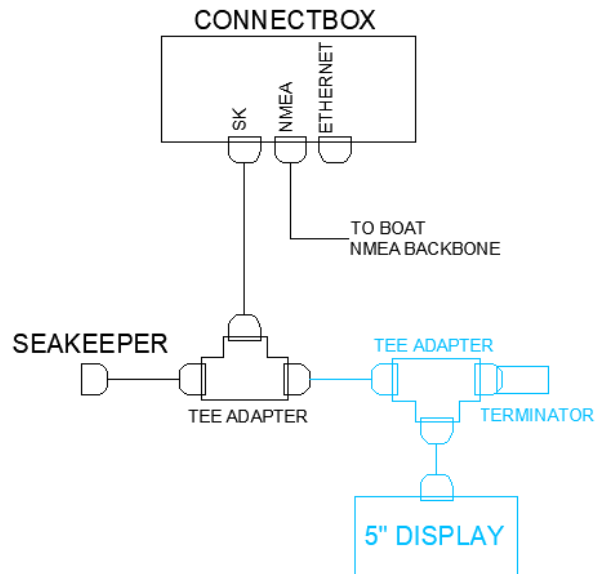
1. WIRING TO A COMPATIBLE MFD



The following multi-function display systems are currently compatible with the Seakeeper ConnectBox:

- A. Garmin: 84XX and 86XX
 - o Garmin Ethernet Wire Harness Cable Assembly P/N: 20373
 - o Reference Technical Bulletin 90478
- B. Raymarine: Axiom, Axiom Pro, and Axiom XL
 - o Raymarine Ethernet Cable Assembly P/N: 20380
 - o Reference Technical Bulletin 90479
- C. Simrad: NSO Evo3, NSS Evo3, GO7 XSR, GO9 XSE, and GO12 XSE
 - o Simrad Ethernet Wire Harness Cable Assembly P/N: 20346
 - o Reference Technical Bulletin 90480

2. WIRING TO A SEAKEEPER 5" DISPLAY



The Seakeeper 5" display must be purchased and installed if the Seakeeper 1 is not connected to a compatible MFD:

- A. SK Series 5" Touch Display – 2nd Helm Control Station Kit P/N: 90467-1SP-10M