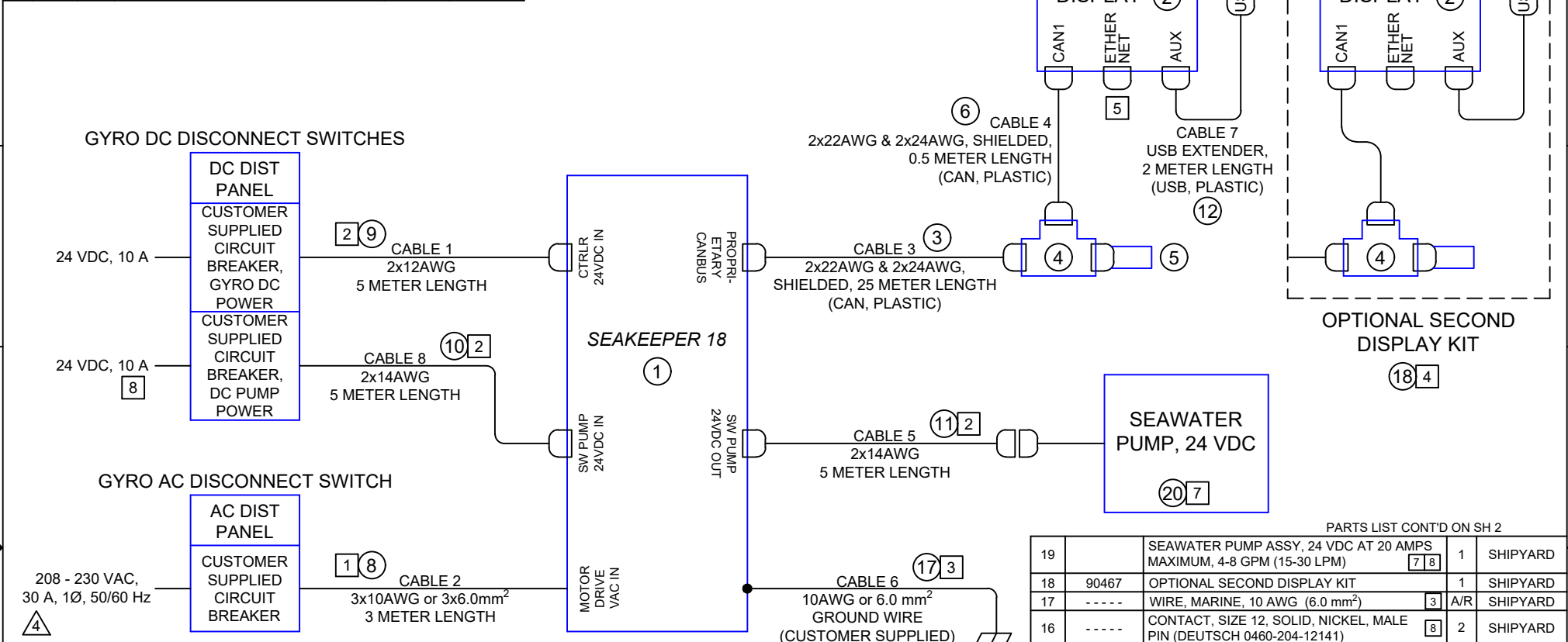


REVISIONS					
REV	ECN NO.	ZONE	DESCRIPTION	DATE	APPROVED
1	----	----	1. INITIAL RELEASE.	07JAN2022	DMF



NOTES:

- 1** CABLE PROVIDED TO CONNECT THE AC INPUT POWER (ITEM 8) IS SUPPLIED AS LENGTH 3m. THE LOCATION CHOSEN FOR POWER DISTRIBUTION SHOULD TAKE THIS INTO CONSIDERATION.
- 2** CABLES PROVIDED TO CONNECT THE DC INPUT & OUTPUT POWER (ITEMS 9-11) ARE SUPPLIED AS LENGTH 5m. THE LOCATION CHOSEN FOR POWER DISTRIBUTION SHOULD TAKE THIS INTO CONSIDERATION.
- 3** CONNECT 10 AWG (6mm²) PE CONDUCTOR (ITEM 17) TO VESSEL GROUNDING BUS TO COMPLY WITH EN/IEC 60204-1:2016 CLAUSES 6.3.3 & 8.2.3 AND WITH ABYC E-11 JULY 2018 CLAUSES 11.5.2 & 11.16.1.
- 4** WHEN 2nd DISPLAY IS INSTALLED, CONNECT 2nd CAN CABLE TO 1st TEE AND MOVE TERMINATOR TO END OF 2nd TEE.
- 5** ETHERNET CONNECTOR ON DISPLAY IS FOR ETHERNET CONNECTION TO SEAKEEPER COMPATIBLE MULTI-FUNCTION DISPLAY.

NOTES CONT'D ON SH 2, ZONE 8-F

PARTS LIST CONT'D ON SH 2

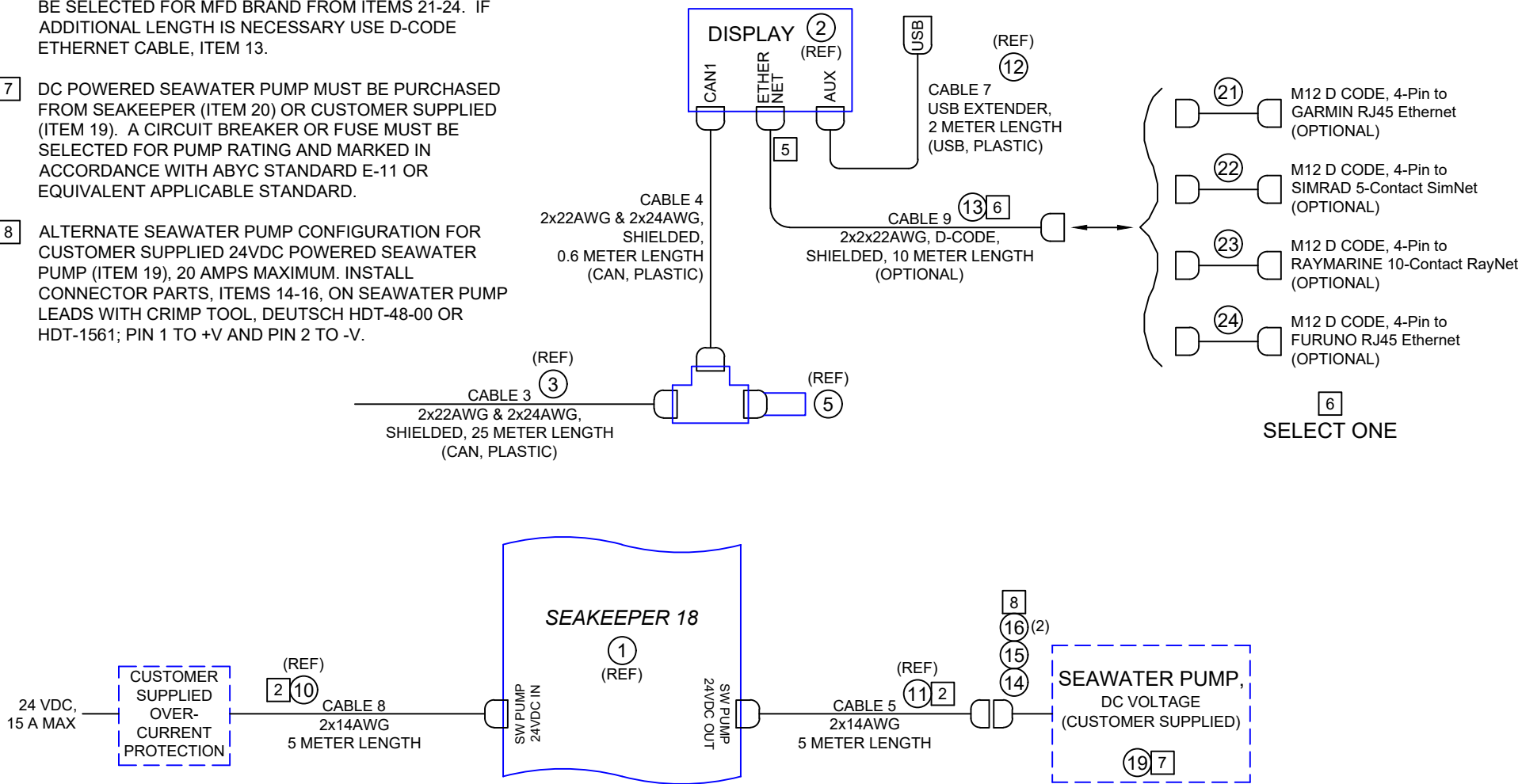
19		SEAWATER PUMP ASSY, 24 VDC AT 20 AMPS MAXIMUM, 4-8 GPM (15-30 LPM)	1	SHIPYARD
18	90467	OPTIONAL SECOND DISPLAY KIT	1	SHIPYARD
17	-----	WIRE, MARINE, 10 AWG (6.0 mm ²)	3	A/R SHIPYARD
16	-----	CONTACT, SIZE 12, SOLID, NICKEL, MALE PIN (DEUTSCH 0460-204-12141)	2	SHIPYARD
15	-----	WEDGELOCK, FOR DTP SERIES 2 PIN RECEPT. (DEUTSCH WP-2P, OR EQUIV.)	1	SHIPYARD
14	-----	CONNECTOR, RECEPTACLE, DTP SERIES, 2 PIN (DEUTSCH DTP04-2P, OR EQUIV.)	1	SHIPYARD
13	30330	CABLE, M12 D-CODE, FEMALE-MALE, 10m	1	SEAKEEPER
12	30300	ADAPTER CABLE, M12-12 TO USB-A	1	SEAKEEPER
11	20455	CABLE, MARINE, DC, 2 X 14AWG, 5m, SW OUT	1	SEAKEEPER
10	20454	CABLE, MARINE, DC, 2 X 14AWG, 5m, SW IN	1	SEAKEEPER
9	20248	CABLE, MARINE, DC, 2 X 12AWG, 5m	1	SEAKEEPER
8	20394	CABLE ASSY, MARINE, 3 x 10AWG, 3m	1	SEAKEEPER
7	30246	WATERPROOF CAP, CAN, MALE	1	SEAKEEPER
6	30301	CABLE, CAN, FEMALE-MALE, 0.6m	1	SEAKEEPER
5	30249	TERMINATOR, CAN, 120 OHM, FEMALE	1	SEAKEEPER
4	30244	TEE ADAPTER, CAN, 3-WAY, F-M-F	1	SEAKEEPER
3	30243	CABLE, CAN, FEMALE-MALE, 25m	1	SEAKEEPER
2	30298	DISPLAY, TOUCHSCREEN, IP67	1	SEAKEEPER
1	90576	SEAKEEPER 12HD ASSEMBLY	1	SEAKEEPER
	90560	SEAKEEPER 16 ASSEMBLY	1	SEAKEEPER

ITEM	SEAKEEPER PART NO.	DESCRIPTION	QTY	SUPPLY
<p>SEAKEEPER 18 CABLE BLOCK DIAGRAM</p>				
<p style="text-align: center;">SEAKEEPER</p> <p style="text-align: center;">45310 ABELL HOUSE LANE, SUITE 350, CALIFORNIA, MD 20619</p>				
WEIGHT: LBS.	N/A	DRAWN: JSG	DATE: 22DEC2021	DWG NUMBER: 90679
MATERIAL:	N/A	ENG: GRR	DATE: 22DEC2021	REV: 1
		PROD APPR:	DATE:	SHEET NO: 1 OF 2

NOTES:

CONT'D FROM SH 1, ZONE 5-B

- 6 FOR SEAKEEPER COMPATIBLE MULTI-FUNCTION DISPLAY (MFD) CONNECTIVITY, ADAPTER CABLE MUST BE SELECTED FOR MFD BRAND FROM ITEMS 21-24. IF ADDITIONAL LENGTH IS NECESSARY USE D-CODE ETHERNET CABLE, ITEM 13.
- 7 DC POWERED SEAWATER PUMP MUST BE PURCHASED FROM SEAKEEPER (ITEM 20) OR CUSTOMER SUPPLIED (ITEM 19). A CIRCUIT BREAKER OR FUSE MUST BE SELECTED FOR PUMP RATING AND MARKED IN ACCORDANCE WITH ABYC STANDARD E-11 OR EQUIVALENT APPLICABLE STANDARD.
- 8 ALTERNATE SEAWATER PUMP CONFIGURATION FOR CUSTOMER SUPPLIED 24VDC POWERED SEAWATER PUMP (ITEM 19), 20 AMPS MAXIMUM. INSTALL CONNECTOR PARTS, ITEMS 14-16, ON SEAWATER PUMP LEADS WITH CRIMP TOOL, DEUTSCH HDT-48-00 OR HDT-1561; PIN 1 TO +V AND PIN 2 TO -V.



24	20506	ETHERNET ADAPTER CABLE, FURUNO	6	1	OPTIONAL
23	20380	ETHERNET ADAPTER CABLE, RAYMARINE	6	1	OPTIONAL
22	20346	ETHERNET ADAPTER CABLE, SIMRAD	6	1	OPTIONAL
21	20373	ETHERNET ADAPTER CABLE, GARMIN	6	1	OPTIONAL
20	30322	SEAWATER PUMP, 24 VDC, 4-8 GPM	7	1	OPTIONAL
ITEM	SEAKEEPER PART NO.	DESCRIPTION	QTY	SUPPLY	

PARTS LIST CONT'D FROM SH 1

PROPRIETARY AND CONFIDENTIAL
THE INFORMATION CONTAINED IN THIS DRAWING IS THE SOLE PROPERTY OF SEAKEEPER, INC. ANY REPRODUCTION IN PART OR AS A WHOLE WITHOUT THE WRITTEN PERMISSION OF SEAKEEPER, INC. IS PROHIBITED.



35310 AABELL HOUSE LANE, SUITE 350, CALIFORNIA, MD 20619

WEIGHT: LBS.	N/A	DRAWN:	JSG	DATE:	22DEC2021
MATERIAL:	N/A	ENG APPR:	GRR	DATE:	22DEC2021
		PROD APPR:		DATE:	

TITLE	SEAKEEPER 18 CABLE BLOCK DIAGRAM	
DWG NUMBER	90679	REV SHEET NO.
		1 2 OF 2