

SEAKEEPER ACCUMULATOR REFERENCE GUIDE



PRODUCT SEAKEEPER 2 THROUGH SEAKEEPER 40

PURPOSE

Provide Information and clarification for replacement accumulator part numbers used on legacy and current Seakeeper stabilizers.

DESCRIPTION

Seakeeper stabilizers are equipped with hydraulic accumulators on the brake manifolds. Ongoing improvements to quality and design have resulted in various configurations that are described in this Technical Bulletin as a guide to the Seakeeper service network. The information represented is an aide to ordering spare parts when necessary, for service interventions.

When a Seakeeper model is replaced by a new design, the earlier model will carry the "EM" designation in this bulletin; the "EM" means *early model*.

SEAKEEPER ACCUMULATOR REFERENCE GUIDE



PRODUCT SEAKEEPER 2 THROUGH SEAKEEPER 40

SEAKEEPER MODEL	QTY USED	SERIAL # APPLICABILITY	Retired P/N	Current P/N	Adapter fitting/ Check valve current P/N
Seakeeper 2	1	2-0001 to 2-191-0173	50230-1SP	50273-1SP	Use existing 50239-1SP Adapter
	1	2-191-0174 to current	50273-1SP		50278-1SP Adapter
Seakeeper 3	1	3-0001 to 3-191-0561	50218-1SP	50282-1SP*	50220-1SP Adapter
	1	3-191-0562 to 3-194-0957	50272-1SP	50314-1SP	50278-1SP Adapter
	1	3-194-0958 to current	50281-1SP		
Seakeeper 5/3DC (EM)	2	3DC-0001 to 3DC-0741 5-0001 to 5-0915	50237-1SP/ 50114-1SP	50282-1SP*	50220-1SP Adapter
	2	5-0916 thru 5-1049	50218-1SP	50272-1SP	50227-1SP Adapter/Check Valve
Seakeeper 6/5	2	5-193-1512 to 5-194-1935	50218-1SP	50272-1SP	50227-1SP Adapter/Check Valve
		6-0001 thru 6-201-1935			
	1	6/5-201-1936 to 6/5-204-2595	N/A	50294-1SP	50377-1SP Adapter
		6/5-204-2596 to current			50278-1SP Adapter
Seakeeper 9/7HD	2	9/7HD-0001 to 9/7HD-1325	50114-1SP	50282-1SP*	50220-1SP Adapter
	2	9/7HD-1326 to 9/7HD-201-2838	50218-1SP	50272-1SP	50227-1SP Adapter/Check Valve
	1	9/7HD-201-2839 to current	N/A	50295-1SP	50377-1SP Adapter
Seakeeper 16/12HD (EM)	2	16-0001 to 16-0503	50230-1SP	50283-1SP**	50239-1SP Adapter
	2	16-0504 to 16-193-0911	50086-1SP	50273-1SP	50167-1SP Adapter/Check Valve
Seakeeper 16/18	1	16-194-0001 to current 18-194-0001 to current	N/A	50300-1SP	50331-1SP Adapter
Seakeeper 26/20HD	2	ALL	50273-1SP	50273-1SP	50167-1SP Adapter/Check Valve
Seakeeper 35/30HD	2	ALL	50273-1SP	50273-1SP	
Seakeeper 40	2	ALL	N/A	50402-1SP	
M-7000, 7000A & 8000	2	ALL	50237-1SP	50282-1SP*	50220-1SP Adapter
M-21000, 21000A & 26000	2	ALL	50273-1SP	50273-1SP	50068 Adapter

* Accumulator comes with adapter 50220-1SP attached

** Accumulator comes with adapter 50239-1SP attached

SEAKEEPER ACCUMULATOR REFERENCE GUIDE



PRODUCT SEAKEEPER 2 THROUGH SEAKEEPER 40

50273-1SP

- 0.32 Liter (19.5 in³)
- SAE -08 port
- Seakeeper 2, Qty: 1
 - Adapter **50239-1SP**
(-06 ORB X -08 ORB)
(2-0001 thru 2-191-0173)
 - Adapter **50278-1SP**
(-08 ORB x -08 ORB)
(2-191-0174 to current)
- Seakeeper 16/12HD (EM), Qty 2, (16-0504 through 16-193-0916)
 - Check Valve **50167-1SP**
(-8 ORB X -08 ORB)
- Seakeeper 26/20HD, 35/30HD (ALL), Qty : 2
 - Check Valve **50167-1SP**
(-8 ORB X -08 ORB)
- M-21000, 21000A & 26000 (ALL), Qty: 2
 - Adapter **50068**
(-08 JIC X -08 ORB)



SEAKEEPER ACCUMULATOR REFERENCE GUIDE



PRODUCT SEAKEEPER 2 THROUGH SEAKEEPER 40

50282-1SP (Comes w/ Adapter 50220-1SP) (Accumulator w/o adapter: 50272-1SP)

- 0.16 Liter (10 in³)
- SAE -06 port
- Seakeeper 3 (3-0001 to 3-191-0561), Qty: 1
 - Adapter **50220-1SP**
(-06 ORB X -06 ORB)
- Seakeeper 3DC/5 (EM) (3DC-0001 to 3DC-0741) (5-0001 to 5-0915) Qty: 2
 - Adapter **50220-1SP**
- Seakeeper 9/7HD (9/7HD-0001 to 9/7HD-1325), Qty: 2
 - Adapter **50220-1SP**
- M-7000, M-7000A & M-8000 (ALL), Qty 2
 - Adapter **50220-1SP**



SEAKEEPER ACCUMULATOR REFERENCE GUIDE



PRODUCT SEAKEEPER 2 THROUGH SEAKEEPER 40

50314-1SP

- 0.75 Liter (45.8 in³)
- SAE -08 port
- Seakeeper 3, Qty 1
(3-191-0562 to current)
 - Adapter **50278-1SP**,
(-08 ORB X -08 ORB)



50272-1SP

- 0.16 Liter (10 in³)
- SAE -06 port
- Seakeeper 3DC/5 (EM), (5-0916 – 5-1049), Qty: 2
 - Check Valve **50227-1SP**
(-06 ORB X -06 ORB)
- Seakeeper 6/5 (5-193-1512 to 5-194-1935)
(6-0001 to 6-201-1935), Qty: 2
 - Check Valve **50227-1SP**
- Seakeeper 9/7HD (9/7HD-1326 to 9/7HD-201-2838), Qty: 2
 - Check Valve **50227-1SP**



SEAKEEPER ACCUMULATOR REFERENCE GUIDE



PRODUCT SEAKEEPER 2 THROUGH SEAKEEPER 40

50294-1SP

- 1 Liter (61 in³)
- SAE -08 port
- Seakeeper 6/5 (5-201-1969 to 2595)
(6-201-1936 - 2595)
 - Adapter **50377-1SP**
(-06 ORB X -08 ORB)
- Seakeeper 6/5 (5-204-2596 to current)
(6-204-2596 to current)
 - Adapter **50278-1SP**
(-08 ORB X -08 ORB)



50377-1SP



50278-1SP



SEAKEEPER ACCUMULATOR REFERENCE GUIDE



PRODUCT SEAKEEPER 2 THROUGH SEAKEEPER 40

50295-1SP

- 1.4 Liter (85.4 in³)
- SAE -08 port
- Seakeeper 9/7HD (9-201-2839 to current), Qty: 1
 - Adapter **50377-1SP** (-06 ORB X -08 ORB)



50283-1SP (Comes w/ adapter 50239-1SP)

- 0.32 Liter (19.5 in³)
- SAE -08 port
- Seakeeper 16/12HD (EM) (16-0001 to 16-0503), Qty: 2
 - Adapter **50239-1SP** (-06 ORB X -08 ORB)



50239-1SP



SEAKEEPER ACCUMULATOR REFERENCE GUIDE



PRODUCT SEAKEEPER 2 THROUGH SEAKEEPER 40

50300-1SP

- 2 Liter (122 in³)
- SAE -12 UNF port
- Seakeeper 18/16 (16-194-0001 to current, and 18-194-0001 to current)

- Adapter **50331-1SP**
(-12 ORB X -08 ORB)



50402-1SP

- 0.32 Liter (19.5 in³)
 - SAE -08 port
 - Seakeeper 40 (ALL), Qty : 2
- Check Valve **50167-1SP**
(-8 ORB X -08 ORB)

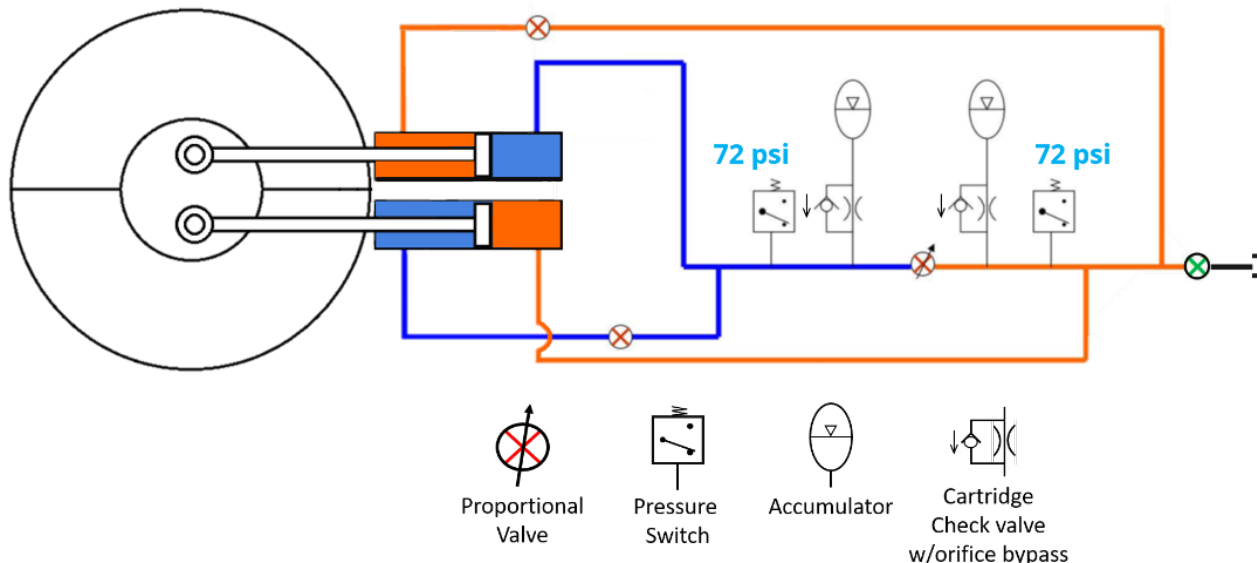


SEAKEEPER ACCUMULATOR REFERENCE GUIDE



PRODUCT SEAKEEPER 2 THROUGH SEAKEEPER 40

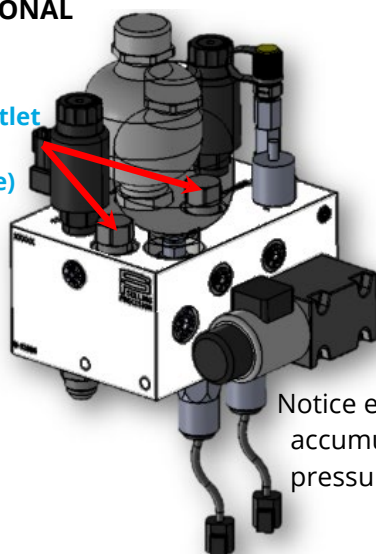
Bi-Directional Manifold



Bi-directional manifolds are distinguishable by their two accumulators, two pressure switches, and an in-line check valve on the accumulators or a cartridge check valve in the manifold block for the accumulator outlet. Early bi-directional manifolds were painted white, but later production models came with black anodized protection; color is not always an indicator of the manifold type. From the schematic, the proportional valve has flow in two directions (bi-directional). This style of manifold is slowly being replaced by the later rectified manifold type found on most models produced today.

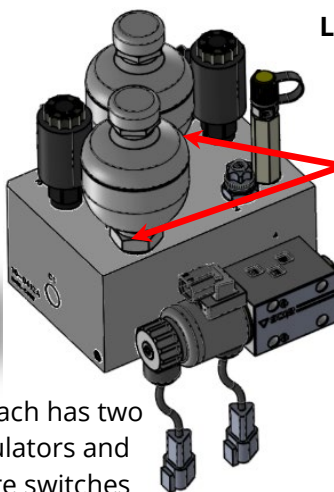
EARLY BI-DIRECTIONAL MANIFOLD

Accumulator Outlet Check Valve (cartridge-type)



LATE BI-DIRECTIONAL MANIFOLD

Accumulator Outlet Check Valve (in-line adapter attached to accumulator)



Notice each has two accumulators and pressure switches

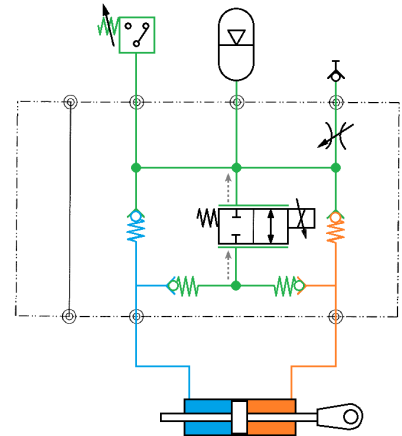
SEAKEEPER ACCUMULATOR REFERENCE GUIDE



PRODUCT SEAKEEPER 2 THROUGH SEAKEEPER 40

Rectified Manifold

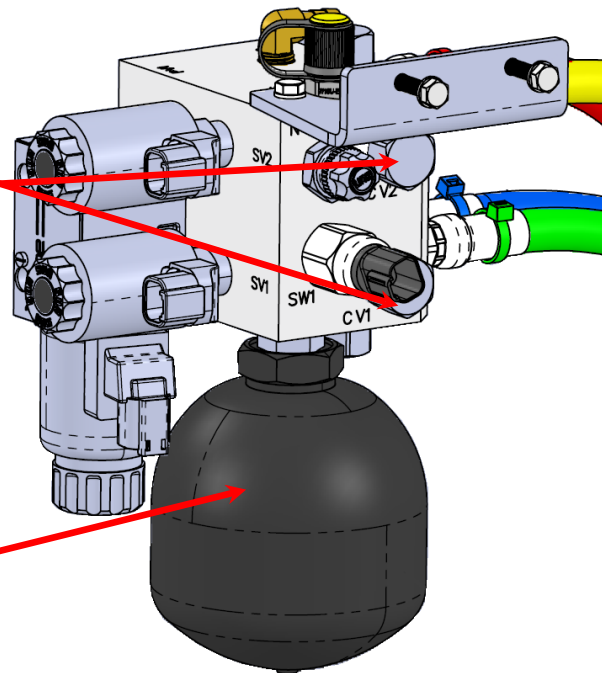
Rectified manifolds are distinguished by their single accumulator, pressure switch, and presence of four cartridge check valves (either cartridge-type or recessed with cap) used for flow control. The single accumulator will only use an adapter for attachment to the manifold. The proportional valve is designed to receive flow in only one direction. The accumulator is positioned on the proportional valve outlet and is only exposed to stable system charge pressures during operation. This position extends the life of the accumulator due to fewer pressure variations.



RECTIFIED MANIFOLD

Flow Control Cartridge Check Valves (4 total)
(NOT TO BE REMOVED FOR SERVICE IN FIELD)

Single Accumulator



REVISION	DESCRIPTION OF CHANGES	DATE	APPROVED
6	Serial number correction (Seakeeper 3)	13JUL2021	K Zervas
7	Removed 50281-1SP – no longer supported	02MAY2022	T Messner
8	Corrected serial ranges of adapters. Minor edits.	18OCT2022	A Patricio
9	Replaced 50376 with 50377 adapter	05DEC2022	A Patricio
10	Added P/N 50402 with addition of Seakeeper 40 reference	19JUL2023	A Patricio