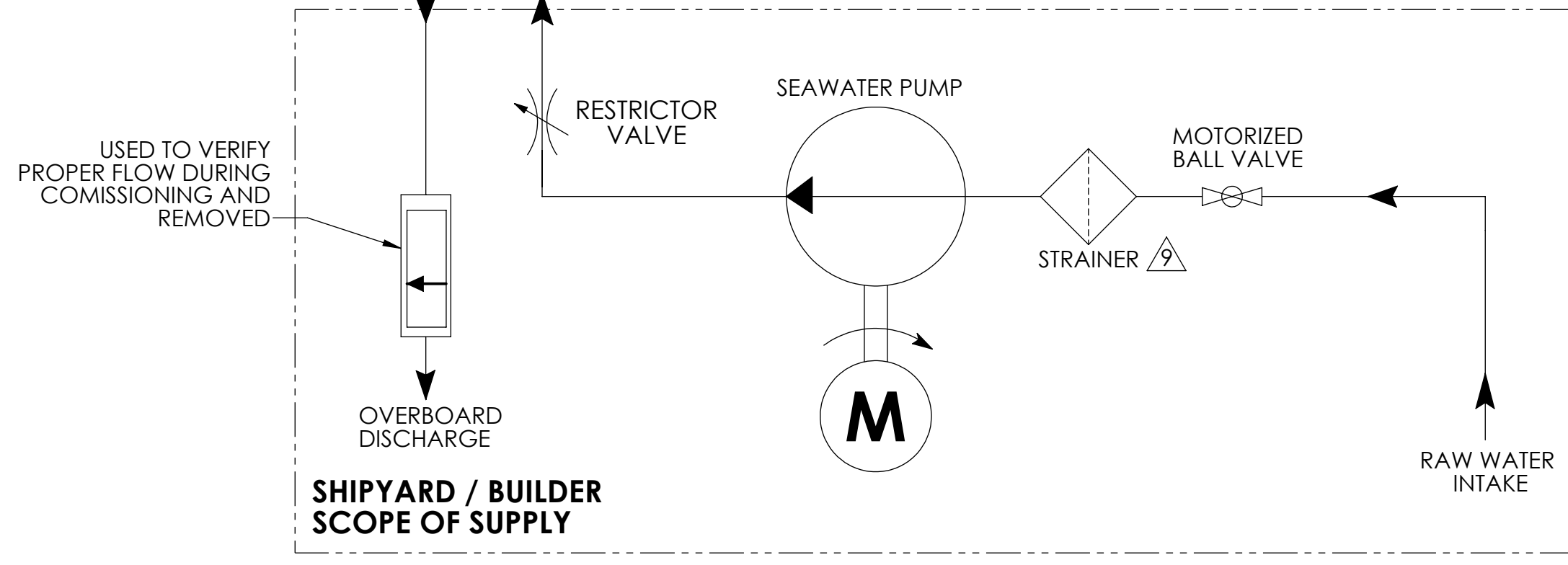
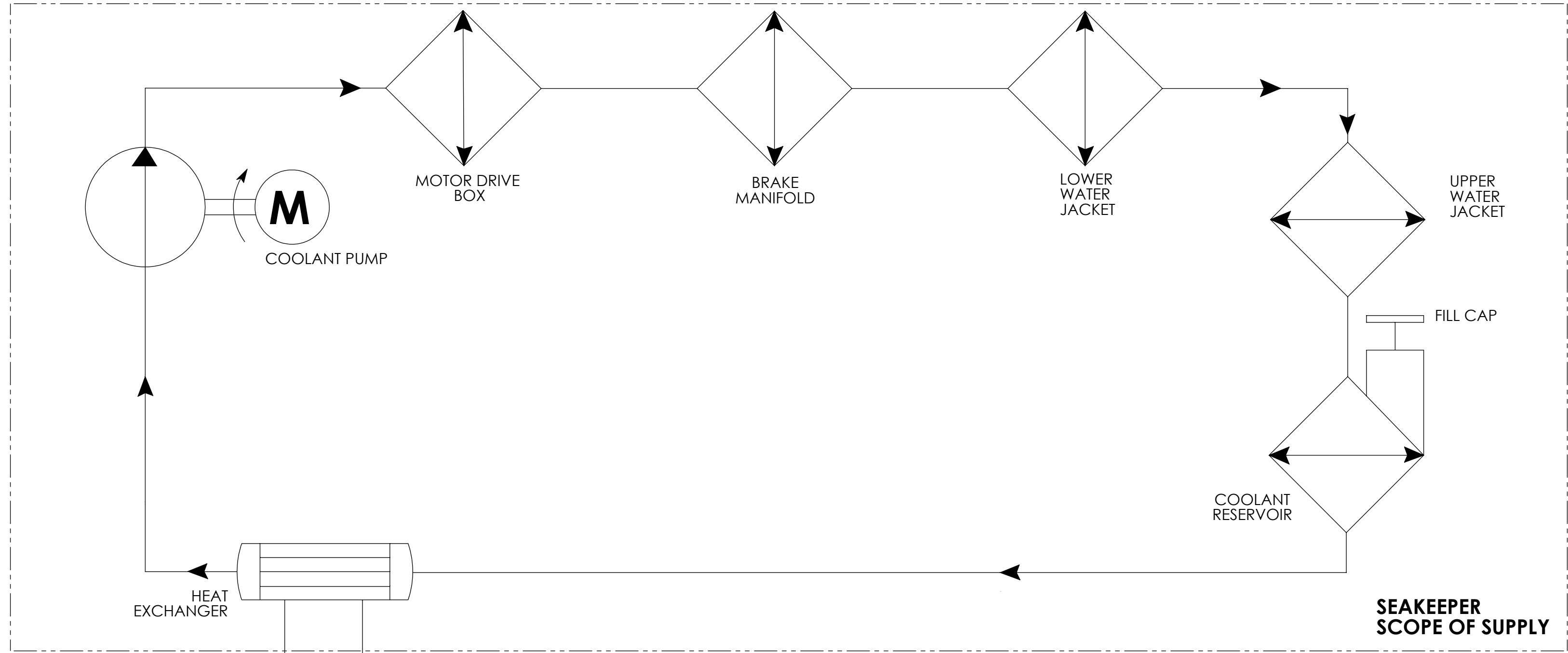


**NOTES (UNLESS OTHERWISE SPECIFIED)**

1. THE COOLANT SYSTEM IS FILLED WITH A 50% ETHYLENE GLYCOL / 50% DISTILLED WATER MIXTURE.
2. DC POWERED SEAWATER PUMP MUST BE PURCHASED FROM SEAKEEPER (30331) OR CUSTOMER SUPPLIED (WITH COMPARABLE SPECS). A MOTORIZED BALL VALVE AND FITTINGS ARE INCLUDED WITH THE SEAKEEPER 6. A 50 MESH SEAWATER STRAINER IS INCLUDED WITH THE SEAKEEPER SEAWATER PUMP (30331) AND MUST BE INSTALLED DIRECTLY ON THE INLET SIDE OF THE PUMP. THE MOTORIZED BALL VALVE MUST BE INSTALLED ON THE INLET SIDE OF THE SEAWATER PUMP TO PREVENT UNINTENDED SEAWATER FLOW DURING UNDERWAY VESSEL OPERATIONS. AN ADDITIONAL SEAWATER STRAINER IS RECOMMENDED ON THE INLET SIDE OF THE MOTORIZED BALL VALVE.
  - REFER TO CABLE BLOCK DIAGRAM (90396) FOR PUMP AND VALVE WIRING DETAILS.
3. SEAWATER FLOW REQUIREMENT THROUGH HEAT EXCHANGER IS 2.5 GPM (9.5 LPM) MINIMUM AND 5 GPM (18.9 LPM) MAXIMUM UNDER ALL OPERATING CONDITIONS OF THE BOAT. MAXIMUM SEAWATER PRESSURE TO BE 20 PSI (1.4 BAR). WHEN SIZING SEAWATER PUMP, INSTALLER SHOULD FACTOR IN LOSSES FOR RAW WATER PLUMBING.
  - IN ADDITION TO INITIAL OPERATION AT DOCK, NEW SEAKEEPER INSTALLATIONS SHOULD BE CHECKED FOR MINIMUM 2.5 GPM (9.5 LPM) AND 5 GPM (18.9 LPM) MAXIMUM FLOW WHILE VESSEL IS AT SPEED AND WHEN BACKING DOWN.

- IF SEAWATER FLOW RATE FROM DEDICATED PUMP OR CENTRAL SYSTEM IS HIGHER THAN MAXIMUM RECOMMENDED VALUE, AN APPROPRIATE RESTRICTOR VALVE SHOULD BE INSTALLED BETWEEN THE PUMP AND THE HEAT EXCHANGER TO DECREASE THE FLOW RATE.
- 4. WATER CONNECTIONS FOR SEAWATER INLET / OUTLET ON SEAKEEPER DC POWERED SEAWATER PUMP AND ON HEAT EXCHANGER ARE 3/4 INCH (19 mm) DIAMETER HOSE BARBS. 3/4 INCH HOSE BARB ADAPTERS ARE PROVIDED WITH SEAKEEPER DC POWERED SEAWATER PUMP AND VALVE.


REV NO.	ECN NO.	ZONE	DESCRIPTION	DATE	DRAWN BY	APRVD. BY
5	879		1. CHANGED MINIMUM RANGE OF PUMP FLOW RATE, WAS 4 GPM (15.1 LPM)	02MAR21	---	DMF
6	908		1. REMOVED PARTS LIST AND CALLOUTS. 2. COMBINED NOTES & RECOMMENDATIONS 3. UPDATED COOLING SCHEMATIC TO MATCH CURRENT FLOW PATH. 4. REPLACED GRAPHIC FOR SK6 SIDE VIEW	21JAN2022	RMF	DMF
7	1228		UPDATED FORMAT, ADDED BALL VALVE, CHANGED FLOWRATES, UPDATED SHEET 2 NOTES AND VIEW	18NOV2025	IMS	GRR
8	1228		UPDATED NOTES	19DEC2025	IMS	GRR/AMP
9	1228	A5, 2-F3	NOTE 11 WAS NOTE 12, REMOVED CONTRADICTIONARY NOTE REGARDING FORWARD SCOOP, SPACED NOTES ON SHEET 2, CHANGED VERBIAGE IN NOTE 11 FROM "SHOULD" TO "MUST", FIXED STRAINER SYMBOL	18MAR2026	IMS	GRR/AMP

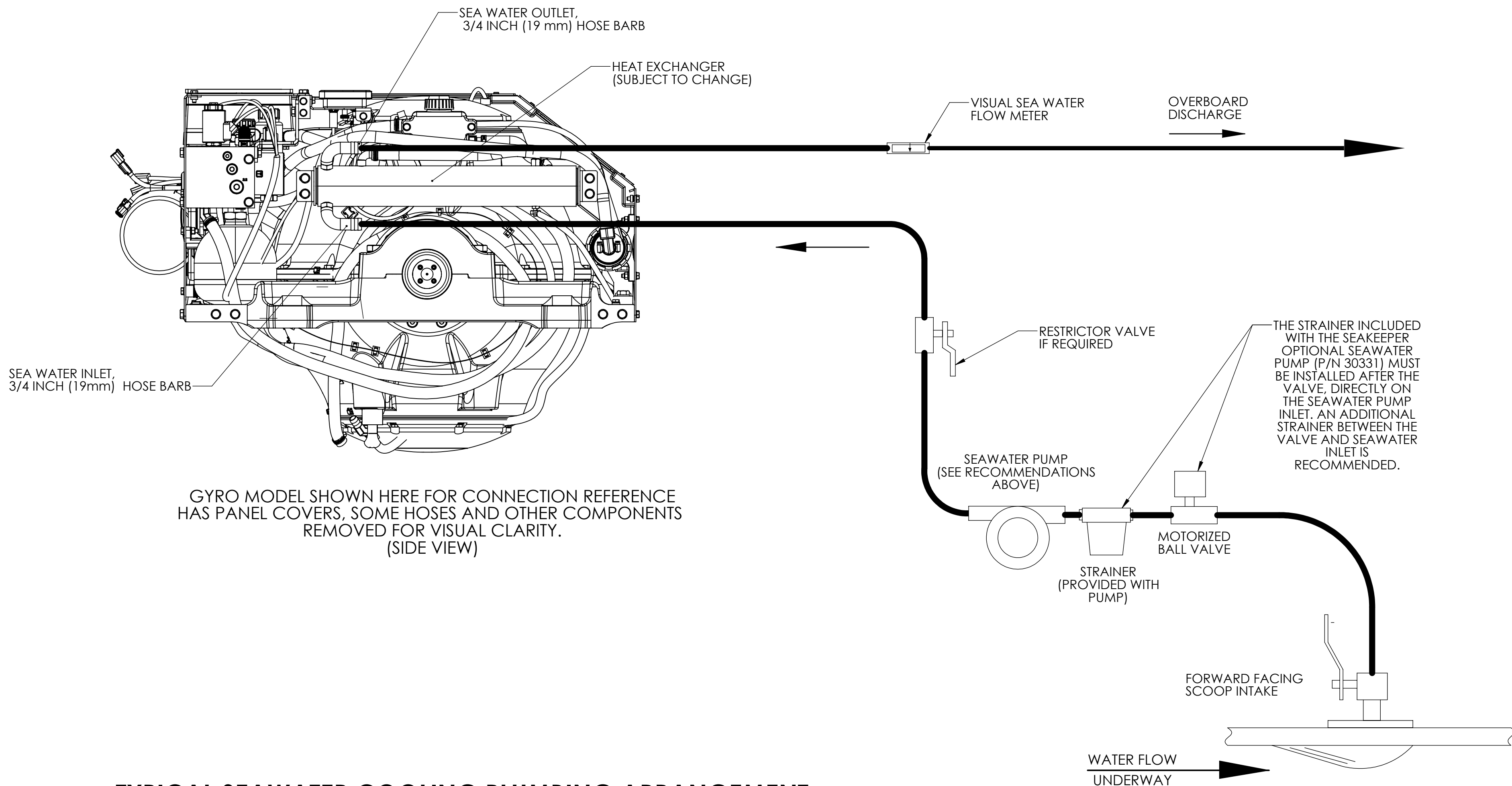


<p><b>PROPRIETARY AND CONFIDENTIAL</b></p> <p>THE INFORMATION CONTAINED IN THIS DRAWING IS THE SOLE PROPERTY OF SEAKEEPER INCORPORATED. ANY REPRODUCTION IN PART OR AS A WHOLE WITHOUT THE WRITTEN PERMISSION OF SEAKEEPER IS PROHIBITED.</p> <p>THIS DRAWING SUPERSEDES ALL OTHER FILE FORMAT TYPES UNLESS OTHERWISE SPECIFIED</p> <p>DO NOT SCALE DRAWING</p>	<p>3rd ANGLE PROJECTION</p>	<p>Seakeeper Inc., 45310 Abell House Lane, Suite 350 California, MD 20619</p> <p><b>DESCRIPTION:</b> SEAKEEPER 6 COOLING WATER SCHEMATIC</p>
	<p>WEIGHT - LBS : ---</p> <p>MATERIAL: ---</p>	


**NOTES (CONT'D FROM SHEET 1):**

5. SEAWATER INTAKE SHOULD BE LOCATED IN THE AFT PORTION OF THE WATER PLANE AREA TO ENSURE THE INTAKE IS SUBMERGED IN ALL RUNNING CONDITIONS AND NOT BE LOCATED NEAR ANY HULL PROTRUSIONS OR STEPS THAT DISTURB FLOW.
6. RAW WATER INTAKE PUMPS SHOULD BE INSTALLED BELOW THE WATERLINE TO MAINTAIN POSITIVE PUMP SUCTION HEAD. A SELF-PRIMING PUMP IS RECOMMENDED FOR ALL INSTALLATIONS. THE SEAKEEPER SEAWATER PUMP IS A SELF-PRIMING PUMP.
7. SEAWATER PICK-UP SHOULD BE SELECTED BASED ON VESSEL OPERATING SPEED TO MINIMIZE SEAWATER INLET PRESSURE AND DRAG ON HIGH-SPEED VESSELS. A FORWARD-FACING SCOOP CAN BE USED FOR LOW-SPEED VESSELS, BUT SHOULD NOT BE USED FOR HIGH-SPEED APPLICATIONS.

8. THE DISCHARGE HOSE OF THE PUMP SHOULD BE ROUTED CONTINUOUSLY UPHILL AS MUCH AS PRACTICAL TO ALLOW PUMP TO MAINTAIN PRIME SHOULD A SMALL AMOUNT OF AIR ENTER THE PLUMBING.
9. SEAWATER PUMP SHOULD BE RATED FOR SAME MAXIMUM AMBIENT AIR TEMPERATURE (60° C) AS GYRO.
10. FOR MULTIPLE SEAKEEPER INSTALLATIONS, ONE SEAWATER PUMP PER INSTALLED SEAKEEPER IS REQUIRED.
11. IF SEAWATER COOLING FLOW IS BEING PROVIDED FROM A MULTI-PURPOSE PUMP/CIRCUIT TO A SEAKEEPER SYSTEM, AN MOTORIZED BALL VALVE MUST BE INSTALLED TO PREVENT FLOW THROUGH SEAKEEPER'S HEAT EXCHANGER WHEN THE SEAKEEPER IS NOT IN USE. 



**TYPICAL SEAWATER COOLING PLUMBING ARRANGEMENT**

<p><b>PROPRIETARY AND CONFIDENTIAL</b> THE INFORMATION CONTAINED IN THIS DRAWING IS THE SOLE PROPERTY OF SEAKEEPER INCORPORATED. ANY REPRODUCTION IN PART OR AS A WHOLE WITHOUT THE WRITTEN PERMISSION OF SEAKEEPER IS PROHIBITED.</p> <p>THIS DRAWING SUPERSEDES ALL OTHER FILE FORMAT TYPES UNLESS OTHERWISE SPECIFIED DO NOT SCALE DRAWING</p>	<p>3rd ANGLE PROJECTION</p> 	<p><b>SEAKEEPER</b> Seakeeper Inc., 45310 Abell House Lane, Suite 350 California, MD 20619</p> <p>DESCRIPTION: SEAKEEPER 6 COOLING WATER SCHEMATIC</p>
	<p>WEIGHT - LBS : ---</p> <p>MATERIAL: ---</p>	