

SEAKEEPER FRB CLEARANCE SURVEY



Clearance Survey Date _____ Clearance Survey Technician _____

SharePoint Submission Link _____

*Fill out one form per Seakeeper and include photos of the unit, clearance, and access.

VESSEL INFORMATION

Vessel Builder _____ Model _____ Year _____

SEAKEEPER INFORMATION

Seakeeper Model _____ Seakeeper Serial Number _____

Installation Type (OEM / Refit) _____ Installation Location _____

SEAKEEPER CLEARANCE CHECKLIST

Please see *Figure 1* on page 2 for images and corresponding letters. The unit should have 28" of clearance on one side, 4" minimum on the other three sides for the Seakeeper 9 and 18, 6" minimum on the other three sides for the Seakeeper 26, and 12" minimum above the unit as shown in *Figure 2* on page 3.

CLEARANCE LOCATION	DIMENSIONS (INCH / MM)
A Starboard Clearance	
B Aft Clearance	
C Port Clearance	
D Forward Clearance	
E Unit Overhead Clearance	

Does the side with 28" have ready access? |

SEAKEEPER ACCESS CHECKLIST

Access Type (Hatch / Door / Leaning Post / etc.)	
Longitudinal Opening Dimensions	
Transverse Opening Dimensions	
Seakeeper Location (Distance from access)	
Does any structure or equipment need to be removed for FRB swap?	
Can the sphere be removed without structural modifications?	

Minimum access dimensions for FRB equipment and parts are listed below for each unit:

MODEL	MINIMUM ACCESS FOR EQUIPMENT & CASES (INCH / MM)
Seakeeper 9	32.5" L x 24.7" W x 19.69" H (825.5 L x 627.38 W x 500.13 H mm)
Seakeeper 18 & 26	33.75" L x 28.5" W x 19.69" H (857.25 L x 723.9 W x 500.13 H mm)

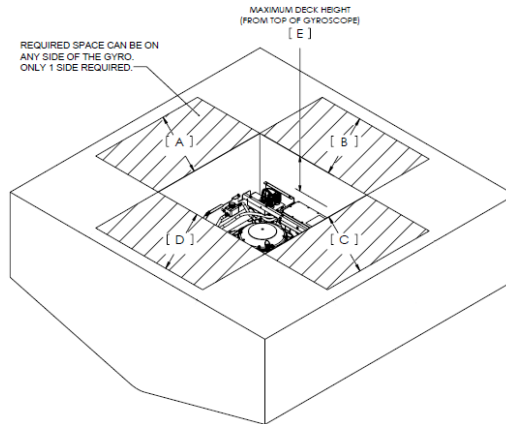


Figure 1. Illustrates the required dimensions around the Seakeeper Unit

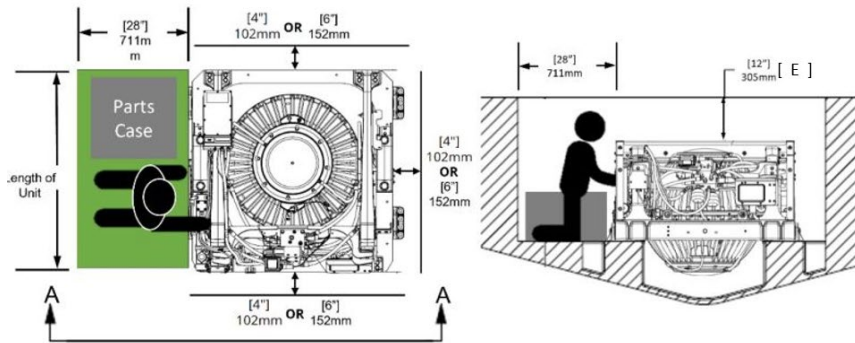


Figure 2. Demonstrates the maintenance space and overhead clearance

SEAKEEPER CLEARANCE COMMENTS